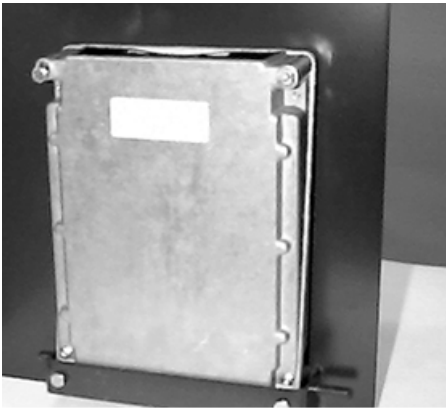


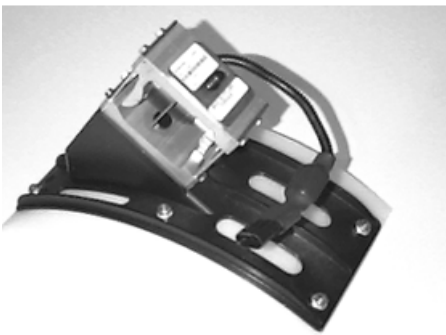
PC0001 -UN-26JUN97



**MAPPING PROCESSOR**



**DISPLAY**



**PC0001 MASS FLOW SENSOR**



**POSITION RECEIVER**



**MOISTURE SENSOR**

## GREENSTAR™ YIELD MAPPING AND MONITORING SYSTEM

(SPECIFICATIONS AND DESIGN SUBJECT TO CHANGE WITHOUT NOTICE)

## IMPORTANT

THIS PARTS CATALOG CONTAINS PARTS INFORMATION FOR THE GREENSTAR™ COMBINE YIELD MAPPING AND MONITORING SYSTEM. THIS SYSTEM IS USED ON 9400, 9500, 9600 AND CTS COMBINES, PRE-1991 AND POST 1990 AND 9410, 9510, 9610 AND CTS II.

VINTAGE IS DETERMINED BY THE SERIAL NUMBER OR THE PRODUCT IDENTIFICATION NUMBER (PIN). IT IS IMPORTANT THAT THE CORRECT NUMBERS BE USED WHEN ORDERING PARTS.

## PRODUCT INFORMATION NUMBER (PIN) PLATE

THE PRODUCT IDENTIFICATION NUMBER (PIN) PLATE IS LOCATED ON THE FRONT COVER OF THE MAPPING PROCESSOR.

### AN EXAMPLE OF THE TWO-LINES ON THIS PIN PLATE IS:

PC0123HXXXXXX  
COMBINE YIELD MAPPING

(FIRST LINE)

PC - MANUFACTURING UNIT (PRECISION FARMING)

0123 - MODEL IDENTIFIER

F - FACTORY CONFIGURATION CODE/MODEL IDENTIFIER SUFFIX

H - FIELD CONFIGURATION CODE/MODEL IDENTIFIER SUFFIX

640101 - SEQUENTIAL NUMBER USED IN SERIAL NO. COLUMN

(SECOND LINE)

COMBINE YIELD MAPPING - TYPE OF PRODUCT

## PARTS LISTING INFORMATION

SERIAL NUMBER OR PRODUCT IDENTIFICATION NUMBER (PIN) INFORMATION SHOWS ON WHICH EQUIPMENT PART MAY BE USED; FOR EXAMPLE:

- THE PART CAN BE USED ON ALL MACHINES.
- 000000 THE PART CAN BE USED ON ALL MACHINES UP TO AND INCLUDING THE SERIAL NUMBER LISTED.
- 000000- THE PART CAN BE USED ON ALL MACHINES BEGINNING WITH THE SERIAL NUMBER LISTED.
- 000000-000000 THE PART CAN BE USED ON ALL MACHINES BETWEEN AND INCLUDING SERIAL NUMBERS LISTED.

WHEN XXXXXX'S ARE LISTED IN PLACE OF A SERIAL NUMBER, A SERIAL NUMBER CHANGE WAS MADE, BUT THE EXACT SERIAL NUMBER IS NOT AVAILABLE WHEN THE CATALOG WAS PRINTED.

## DIRECTION ARROW

ARROWS ARE USED WITH ILLUSTRATIONS TO INDICATE THE FRONT OF THE UNIT. "RIGHT-HAND" AND "LEFT-HAND" SIDES ARE DETERMINED BY FACING IN THE DIRECTION OF MACHINE FORWARD TRAVEL.

*COPYRIGHT (C) 2000. DEERE & COMPANY. MOLINE, ILLINOIS. ALL RIGHTS RESERVED.*

## BOX-ENCLOSED ILLUSTRATIONS

A KEY NUMBER, SHOWN IN THE PARTS LIST, IS ASSIGNED TO A BOX ENCLOSING ALL PARTS SOLD AS A SERVICE ASSEMBLY. A BOX NOT KEYED INCLUDES NON-CURRENT PARTS.

## KITS

KIT INFORMATION WILL BE FOUND IMMEDIATELY FOLLOWING THE STORY IN WHICH IT IS USED. THE ILLUSTRATION IS REPEATED WITH ONLY THE KIT PARTS CALLED OUT AND WITH ALL OTHER PARTS SHOWN IN PHANTOM.

## JDM REMANUFACTURED COMPONENTS

THE SERVICE PARTS LISTED IN THIS CATALOG ARE INTENDED FOR THE REPAIR OF ORIGINAL EQUIPMENT COMPONENTS. ALTHOUGH MOST SERVICE PARTS MAY BE USED TO REPAIR REMANUFACTURED COMPONENTS, THE REMANUFACTURED DESIGN MAY CHANGE PARTS SUFFICIENTLY SO THAT SERVICE PARTS ARE INADEQUATE OR NOT USABLE.

## BOLT AND CAP SCREW STRENGTH IDENTIFICATION

BOLTS AND CAP SCREWS REQUIRED TO HAVE HIGH-STRENGTH QUALITIES EQUIVALENT TO SAE GRADE 8 ARE IDENTIFIED THROUGHOUT THIS CATALOG BY THE DESCRIPTION HS SAE 8. ALL STANDARD BOLTS AND CAP SCREWS ARE SAE GRADE 5 OR LOWER. BOLTS AND CAP SCREWS REQUIRED TO HAVE HIGH-STRENGTH QUALITIES EQUIVALENT TO PROPERTY CLASS 10.9 ARE IDENTIFIED THROUGHOUT THIS CATALOG BY THE DESCRIPTION HS 10.9. ALL STANDARD BOLTS AND CAP SCREWS ARE PROPERTY CLASS 8.8 OR LOWER.

## SI UNITS OF MEASURE

METRIC DIMENSIONS ARE GIVEN, WHERE APPLICABLE, THROUGHOUT THIS PARTS CATALOG.

## TRADEMARKS

THROUGHOUT THIS PARTS CATALOG, YOU WILL FIND THE FOLLOWING DEERE & COMPANY TRADEMARKS:

GREENSTAR™

## CHANGE INDICATOR LINE

CHANGES AFFECTING THE ORDERING OF PARTS ARE IDENTIFIED BY VERTICAL LINES MARKED IN THE LEFT-HAND MARGIN OF REVISED PARTS LISTING IMAGES. A LINE IS ALSO AT THE LEFT-HAND EDGE OF THE SAME PART NUMBER IN THE NUMERICAL INDEX TO SHOW THE LOCATION OF REVISED INFORMATION.

## FUNCTION CODE

(EXAMPLE - FC: 5000)

FUNCTION CODES ARE LOCATED ON EACH PAGE IN THE UPPER RIGHT-HAND CORNER IN THE BOX. THE CODE LISTED IS A GROUPING CODE THAT CAN BE USED FOR WARRANTIES AND FOR DTAC TO IDENTIFY CERTAIN AREAS.

## COMPLETE GOODS LISTINGS

COMPLETE GOODS ARE IN BOLD FACE TYPE. ORDER SEPARATELY. DO NOT INCLUDE ON REPLACEMENT PARTS ORDER.

SECTION INDEX

SECTION 10 - GENERAL INFORMATION

SECTION 20 - COMBINE YIELD MAPPING AND MONITORING

SECTION 180 - NUMERICAL INDEX

## ALPHABETICAL INDEX

GRID		PAGE	GRID		PAGE
A			D		
B5	ADAPTER, CAB WIRING HARNESS, MAPPING 9410, 9510, 9610, CTS II (680000- ) .....	20-20	B23	DATASTORE.....	20-38
B			B21	DATASTORE MODULE .....	20-36
A21	BRACKET, CLEAN GRAIN ELEVATOR ADJUSTING YIELD MAPPING .....	20-12	B23	DATASTORE MODULE .....	20-38
A13	BRACKET, DISPLAY YIELD MAPPING (680001- ) .....	20-4	B21	DATASTORE W/DISPLAY .....	20-36
A17	BRACKET, MASS FLOW SENSOR YIELD MAPPING .....	20-8	B24	DECALS YIELD MAPPING .....	20-40
A19	BRACKET, MOISTURE SENSOR YIELD MAPPING .....	20-10	C1	DECALS YIELD MONITOR .....	20-42
A11	BRACKET, POSITION RECEIVER YIELD MAPPING .....	20-2	B24	DECALS, DISPLAY YIELD MAPPING .....	20-40
A15	BRACKET, PROCESSOR ( -680000) YIELD MAPPING .....	20-6	C1	DECALS, DISPLAY YIELD MONITOR .....	20-42
A17	BRACKET, TRANSDUCER MOUNTING YIELD MAPPING .....	20-8	B24	DECALS, MOISTURE SENSOR YIELD MAPPING .....	20-40
C			C1	DECALS, MOISTURE SENSOR YIELD MONITOR .....	20-42
B1	CAB WIRING HARNESS - YIELD MAPPING 9400, 9500, 9600, CTS .....	20-16	B24	DECALS, PROCESSOR YIELD MAPPING .....	20-40
B3	CAB WIRING HARNESS - YIELD MAPPING 9410, 9510, 9610, CTS II ( -680000) .....	20-18	A17	DEFLECTOR DOOR, MASS FLOW SENSOR YIELD MAPPING .....	20-8
B7	CAB WIRING HARNESS - YIELD MAPPING 9410, 9510, 9610, CTS II (680000- ) .....	20-22	A13	DISPLAY YIELD MAPPING (680001- ) .....	20-4
B5	CAB WIRING HARNESS ADAPTER - MAPPING 9410, 9510, 9610, CTS II (680000- ) .....	20-20	A13	DISPLAY BRACKET YIELD MAPPING (680001- ) .....	20-4
B7	CAB WIRING HARNESS, FIELD INSTALLED W/MOBILE PROCESSOR & DISPLAY (680000-) .....	20-22	C1	DISPLAY DECALS YIELD MONITOR .....	20-42
B23	CABLE, DATASTORE/COMPUTER.....	20-38	B21	DISPLAY W/DATASTORE .....	20-36
A21	CHAIN ADJUSTING PARTS, CLEAN GRAIN ELEVATOR - YIELD MAPPING .....	20-12	A17	DOOR, MASS FLOW SENSOR DEFLECTOR YIELD MAPPING .....	20-8
A23	CHASSIS WIRING HARNESS YIELD MAPPING .....	20-14	E		
A21	CLEAN GRAIN ELEVATOR ADJUSTING BRACKET YIELD MAPPING .....	20-12	A21	ELEVATOR CHAIN ADJUSTING PARTS, CLEAN GRAIN - YIELD MAPPING .....	20-12
A21	CLEAN GRAIN ELEVATOR BEARING COVER YIELD MAPPING .....	20-12	B9	EXTENSION HARNESS, MOISTURE SENSOR YIELD MAPPING-9140, 9510, 9610, CTS II.....	20-24
A21	CLEAN GRAIN ELEVATOR CHAIN ADJUSTING PARTS - YIELD MAPPING .....	20-12	F		
B5	CONVERSION, CAB WIRING HARNESS, MAPPING 9410, 9510, 9610, CTS II (680000- ) .....	20-20	B7	FIELD INSTALLED CAB WIRING HARNESS W/MOBILE PROCESSOR & DISPLAY (680000-) .....	20-22
A21	COVER, CLEAN GRAIN ELEVATOR BEARING YIELD MAPPING .....	20-12	A17	FLOW SENSOR, MASS YIELD MAPPING .....	20-8
A19	COVER, MOISTURE SENSOR YIELD MAPPING .....	20-10	H		
A11	COVER, POSITION RECEIVER YIELD MAPPING .....	20-2	B1	HARNESS, CAB WIRING - YIELD MAPPING 9400, 9500, 9600, CTS .....	20-16
A15	COVER, PROCESSOR ( -680000) YIELD MAPPING .....	20-6	B3	HARNESS, CAB WIRING - YIELD MAPPING 9410, 9510, 9610, CTS II ( -680000) .....	20-18
B15	COVERS, MASS-FLOW SENSOR - YIELD MAPPING WHEN MASS-FLOW SENSOR IS NOT USED .....	20-30	B7	HARNESS, CAB WIRING - YIELD MAPPING 9410, 9510, 9610, CTS II (680000- ) .....	20-22
B17	COVERS, MOISTURE SENSOR ( -675000) YIELD MAPPING .....	20-32	B5	HARNESS, CAB WIRING ADAPTER - MAPPING 9410, 9510, 9610, CTS II (680000- ) .....	20-20
B19	COVERS, MOISTURE SENSOR (675001- ) YIELD MAPPING .....	20-34	A23	HARNESS, CHASSIS WIRING YIELD MAPPING .....	20-14
B17	COVERS, WHEN MOISTURE SENSOR IS NOT USED ( -675000) YIELD MAPPING .....	20-32	B21	HARNESS, DATASTORE.....	20-36
B19	COVERS, WHEN MOISTURE SENSOR IS NOT USED (675001- ) YIELD MAPPING .....	20-34	B7	HARNESS, FIELD INSTALLED CAB WIRING W/MOBILE PROCESSOR & DISPLAY (680000-) .....	20-22
			B9	HARNESS, MOISTURE SENSOR EXTENSION YIELD MAPPING-9410, 9510, 9610, CTS II.....	20-24

## ALPHABETICAL INDEX - CONTINUED

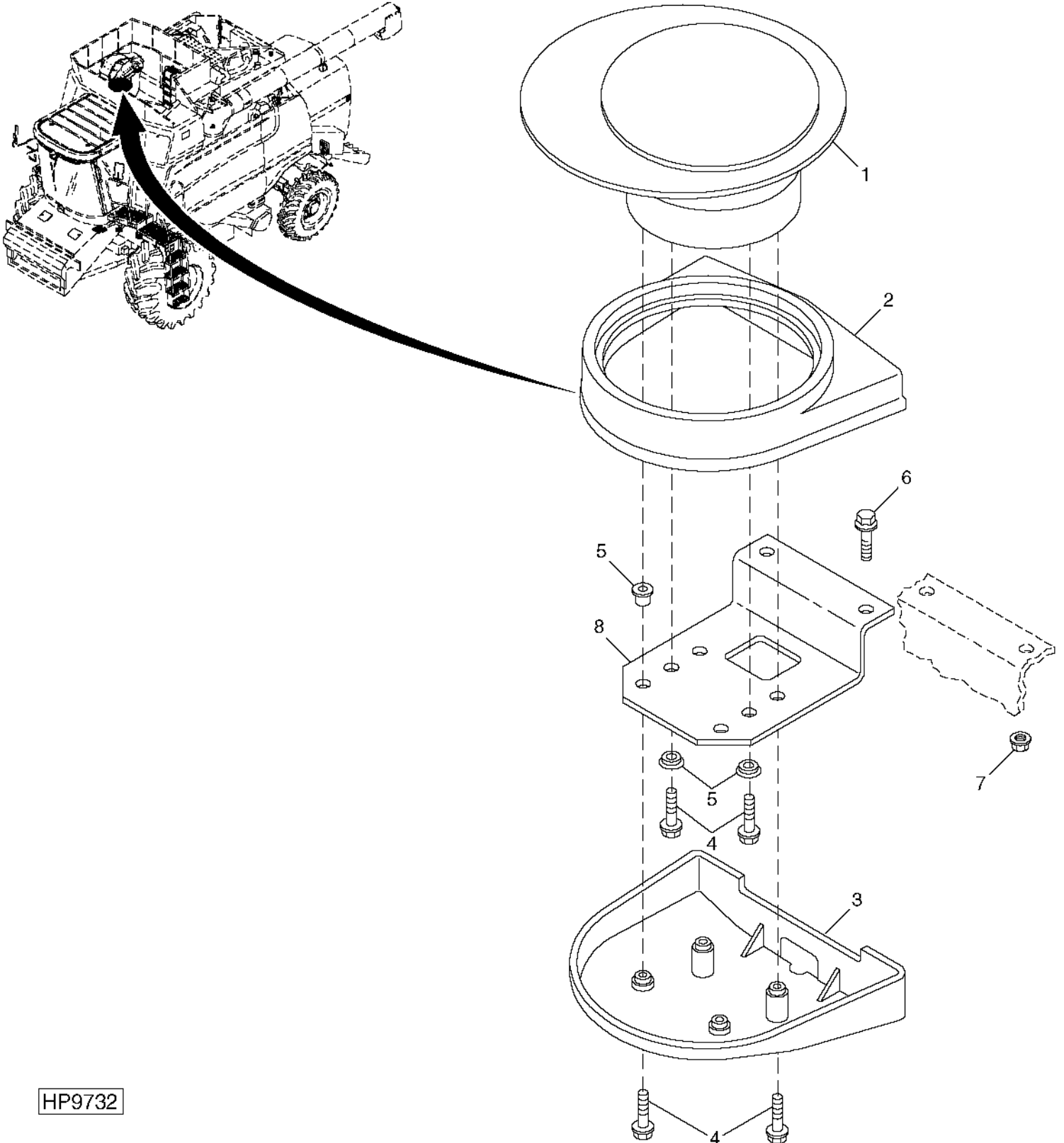
GRID		PAGE		GRID		PAGE
A19	HARNESS, MOISTURE SENSOR MOTOR YIELD MAPPING .....	20 - 10		A15	PROCESSOR COVER ( -680000) YIELD MAPPING .....	20 - 6
	M			A15	PROCESSOR COVER SPRING ( -680000) YIELD MAPPING .....	20 - 6
A13	MAPPING PROCESSOR YIELD MAPPING (680001- ) .....	20 - 4		A13	PROCESSOR, MAPPING YIELD MAPPING (680001- ) .....	20 - 4
A15	MAPPING PROCESSOR ( -680000) YIELD MAPPING .....	20 - 6		A15	PROCESSOR, MAPPING ( -680000) YIELD MAPPING .....	20 - 6
A17	MASS FLOW SENSOR YIELD MAPPING .....	20 - 8		A13	PROCESSOR, MOBILE YIELD MAPPING (680001- ) .....	20 - 4
A17	MASS FLOW SENSOR BRACKET YIELD MAPPING .....	20 - 8			R	
A17	MASS FLOW SENSOR DOOR YIELD MAPPING .....	20 - 8		A11	RECEIVER, POSITION YIELD MAPPING .....	20 - 2
B13	MASS FLOW SENSOR TEMPLATES YIELD MAPPING .....	20 - 28			S	
B15	MASS-FLOW SENSOR COVERS - YIELD MAPPING WHEN MASS-FLOW SENSOR IS NOT USED .....	20 - 30		A17	SENSOR, MASS FLOW YIELD MAPPING .....	20 - 8
A13	MOBILE PROCESSOR YIELD MAPPING (680001- ) .....	20 - 4		A19	SENSOR, MOISTURE YIELD MAPPING .....	20 - 10
B21	MODULE, DATASTORE.....	20 - 36		A15	SPRING, PROCESSOR COVER ( -680000) YIELD MAPPING .....	20 - 6
B23	MODULE, DATASTORE.....	20 - 38			T	
B13	MOISTURE METER TEMPLATE YIELD MAPPING .....	20 - 28		B13	TEMPLATES YIELD MAPPING .....	20 - 28
A19	MOISTURE SENSOR YIELD MAPPING .....	20 - 10		B13	TEMPLATES, MASS FLOW SENSOR YIELD MAPPING .....	20 - 28
A19	MOISTURE SENSOR BRACKET YIELD MAPPING .....	20 - 10		B13	TEMPLATES, MOISTURE SENSOR YIELD MAPPING .....	20 - 28
A19	MOISTURE SENSOR COVER YIELD MAPPING .....	20 - 10		A17	TRANSDUCER YIELD MAPPING .....	20 - 8
B17	MOISTURE SENSOR COVERS ( -675000) YIELD MAPPING .....	20 - 32		A17	TRANSDUCER MOUNTING BRACKET YIELD MAPPING .....	20 - 8
B19	MOISTURE SENSOR COVERS (675001- ) YIELD MAPPING .....	20 - 34		B23	TRANSFORMER, DATASTORE .....	20 - 38
B17	MOISTURE SENSOR COVERS - YIELD MAPPING ( -675000) W/O MOISTURE SENSOR .....	20 - 32			W	
B19	MOISTURE SENSOR COVERS - YIELD MAPPING (675001- ) W/O MOISTURE SENSOR .....	20 - 34		B1	WIRING HARNESS, CAB - YIELD MAPPING 9400, 9500, 9600, CTS .....	20 - 16
C1	MOISTURE SENSOR DECALS YIELD MONITOR .....	20 - 42		B3	WIRING HARNESS, CAB - YIELD MAPPING 9410, 9510, 9610, CTS II ( -680000) .....	20 - 18
B9	MOISTURE SENSOR EXTENSION HARNESS YIELD MAPPING-9410, 9510, 9610, CTS II.....	20 - 24		B7	WIRING HARNESS, CAB - YIELD MAPPING 9410, 9510, 9610, CTS II (680000- ) .....	20 - 22
A19	MOISTURE SENSOR MOTOR YIELD MAPPING .....	20 - 10		B5	WIRING HARNESS, CAB ADAPTER - MAPPING 9410, 9510, 9610, CTS II (680000- ) .....	20 - 20
A19	MOISTURE SENSOR MOTOR HARNESS YIELD MAPPING .....	20 - 10		A23	WIRING HARNESS, CHASSIS YIELD MAPPING .....	20 - 14
B13	MOISTURE SENSOR TEMPLATES YIELD MAPPING .....	20 - 28				
A19	MOTOR, MOISTURE SENSOR YIELD MAPPING .....	20 - 10				
	P					
A19	PADDLE, MOISTURE SENSOR YIELD MAPPING .....	20 - 10				
A11	POSITION RECEIVER YIELD MAPPING .....	20 - 2				
A11	POSITION RECEIVER BRACKET YIELD MAPPING .....	20 - 2				
A11	POSITION RECEIVER COVER YIELD MAPPING .....	20 - 2				
A15	PROCESSOR BRACKET ( -680000) YIELD MAPPING .....	20 - 6				

---

MEMORANDA

# A11

**POSITION RECEIVER**  
HP9732 -UN-28APR00



HP9732



# A12

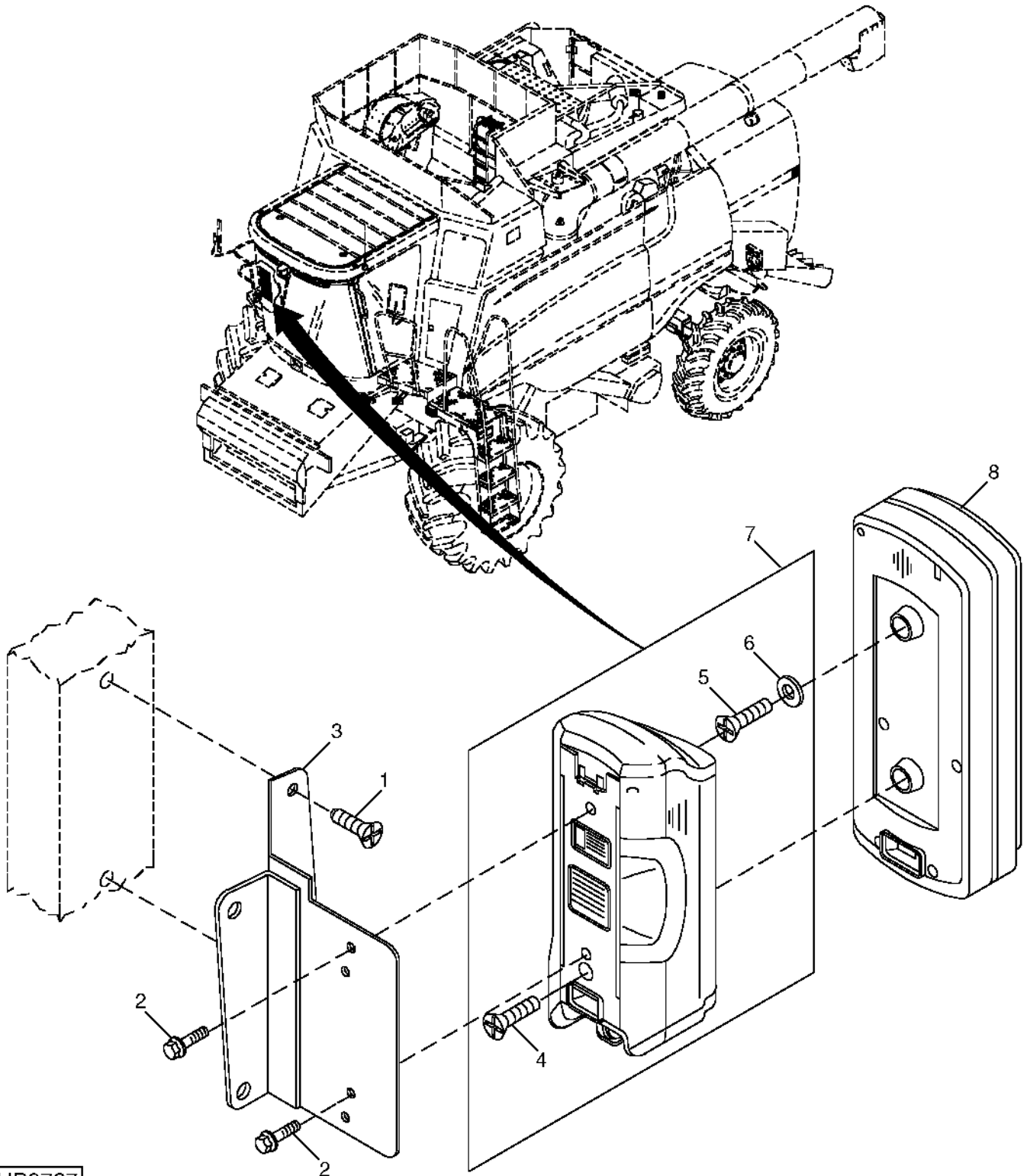
**POSITION RECEIVER - CONTINUED**

KEY	PART NO.	PART NAME	QTY	SERIAL NO.	REMARKS
1	PF80314	POSITION RECEIVER	1		(SUB FOR PF80015)
2	PF10134	COVER	1		
3	PF10135	COVER	1		
4	21M7267	SCREW	6		(A) M6 X 20
5	PF10240	WASHER	6		(A) NYLON SPACERS
6	19M7865	SCREW	2		(A) M8 X 16
7	14M7298	FLANGE NUT	2		(A) M8
8	PF10123	BRACKET	1		
..	PF80016	KIT	1		INCLUDES PARTS MARKED (A)

# A13

GREENSTAR™ COMBINE YIELD MAPPING AND MONITORING

GREENSTAR™ DISPLAY AND MOBILE PROCESSOR  
HP9737 -UN-28APR00



HP9737

# A14

GREENSTAR™ COMBINE YIELD MAPPING AND MONITORING

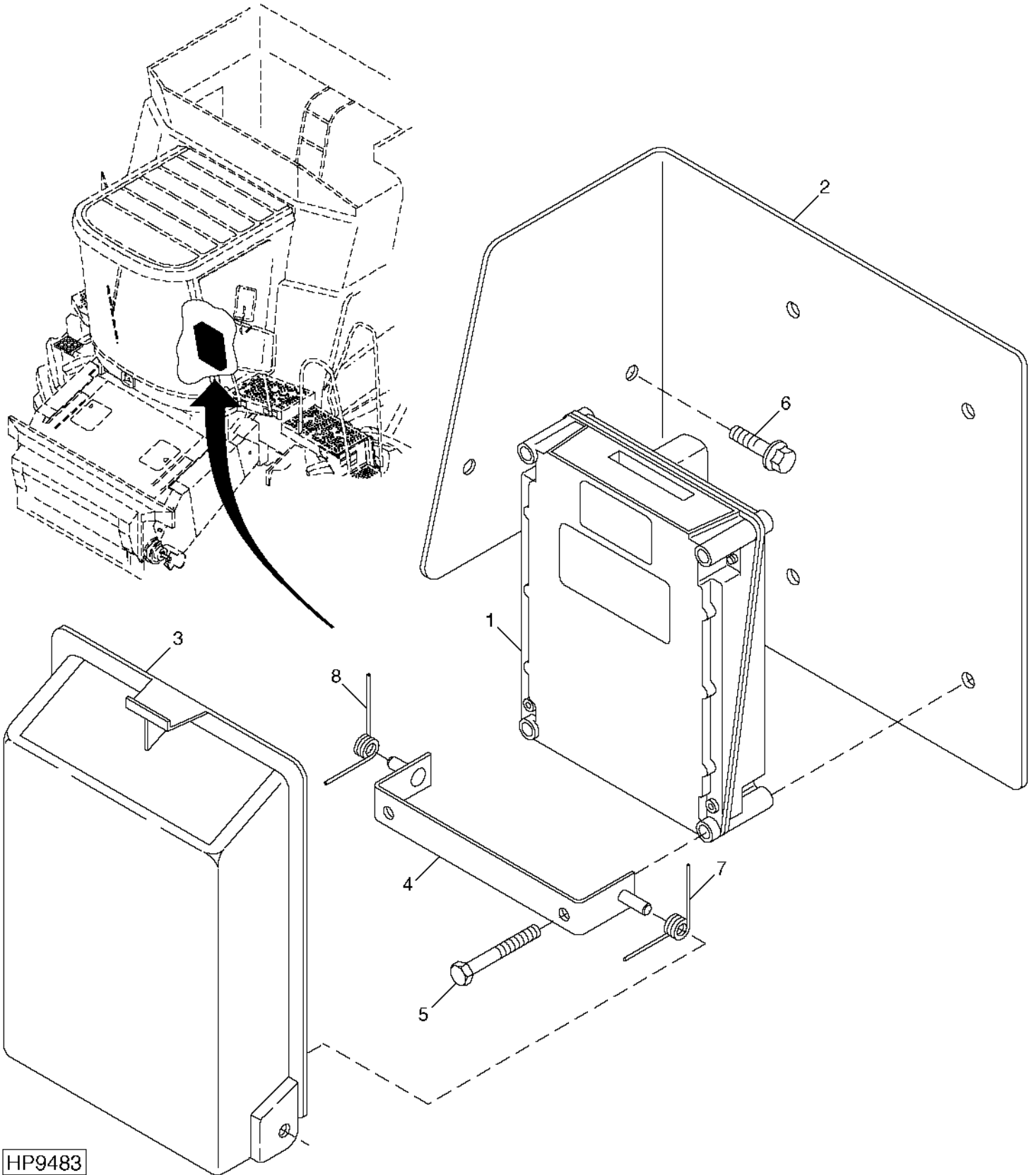
## GREENSTAR™ DISPLAY AND MOBILE PROCESSOR - CONTINUED

KEY	PART NO.	PART NAME	QTY	SERIAL NO.	REMARKS
1	H168424	SCREW	2		
2	19M7774	SCREW	2		(A) M6 X 12
3	PF10607	BRACKET	1		(A)
4	21M7327	SCREW	1		M6 X 35
5	21M7305	SCREW	1		M6 X 12
6	24M7100	WASHER	1		6.600 X 22 X 2 MM
7	PF80316	MOBILE PROCESSOR MODULE	1		(SUB FOR PF80156)
8	PF80370	GREENSTAR DISPLAY MODULE	1		(SUB FOR PF80079, PF80117, PF80162 OR PF80150)
..	PF80014	GREENSTAR DISPLAY ATT. KIT	1		INCLUDES PARTS MARKED (A)

# A15

GREENSTAR™ COMBINE YIELD MAPPING AND MONITORING

MAPPING PROCESSOR  
(-680000)  
HP9483 -UN-26JAN00



HP9483

# A16

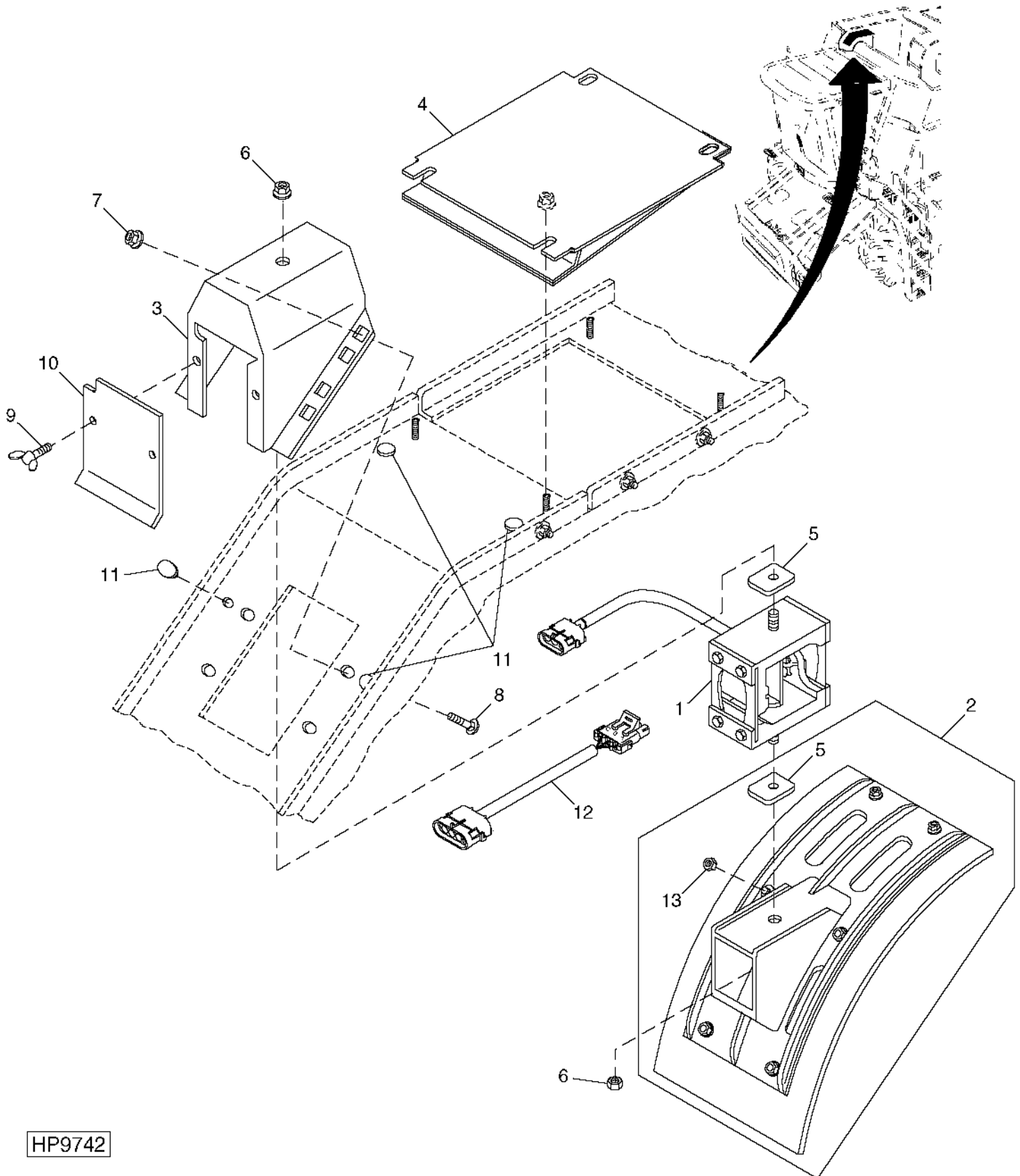
**MAPPING PROCESSOR - CONTINUED**  
( -680000)

KEY	PART NO.	PART NAME	QTY	SERIAL NO.	REMARKS
1	PF80077	MOBILE PROCESSOR MODULE	1		
2	PF80088	BRACKET	1		
3	PF80078	COVER	1		
4	PF80026	BRACKET	1	(A)	
5	19M7721	CAP SCREW	4	(A) M6 X 65	
6	37M7058	SCREW	2	(A) M8 X 20	
7	PF10138	SPRING	1	(A) R.H.	
8	PF10140	SPRING	1	(A) L.H.	
..	PF80006	MAPPING PROCESSOR ATT. KIT	1		INCLUDES PARTS MARKED (A)

# A17

GREENSTAR™ COMBINE YIELD MAPPING AND MONITORING

**MASS FLOW SENSOR**  
HP9742 -UN-05MAY00



HP9742

# A18

## GREENSTAR™ COMBINE YIELD MAPPING AND MONITORING

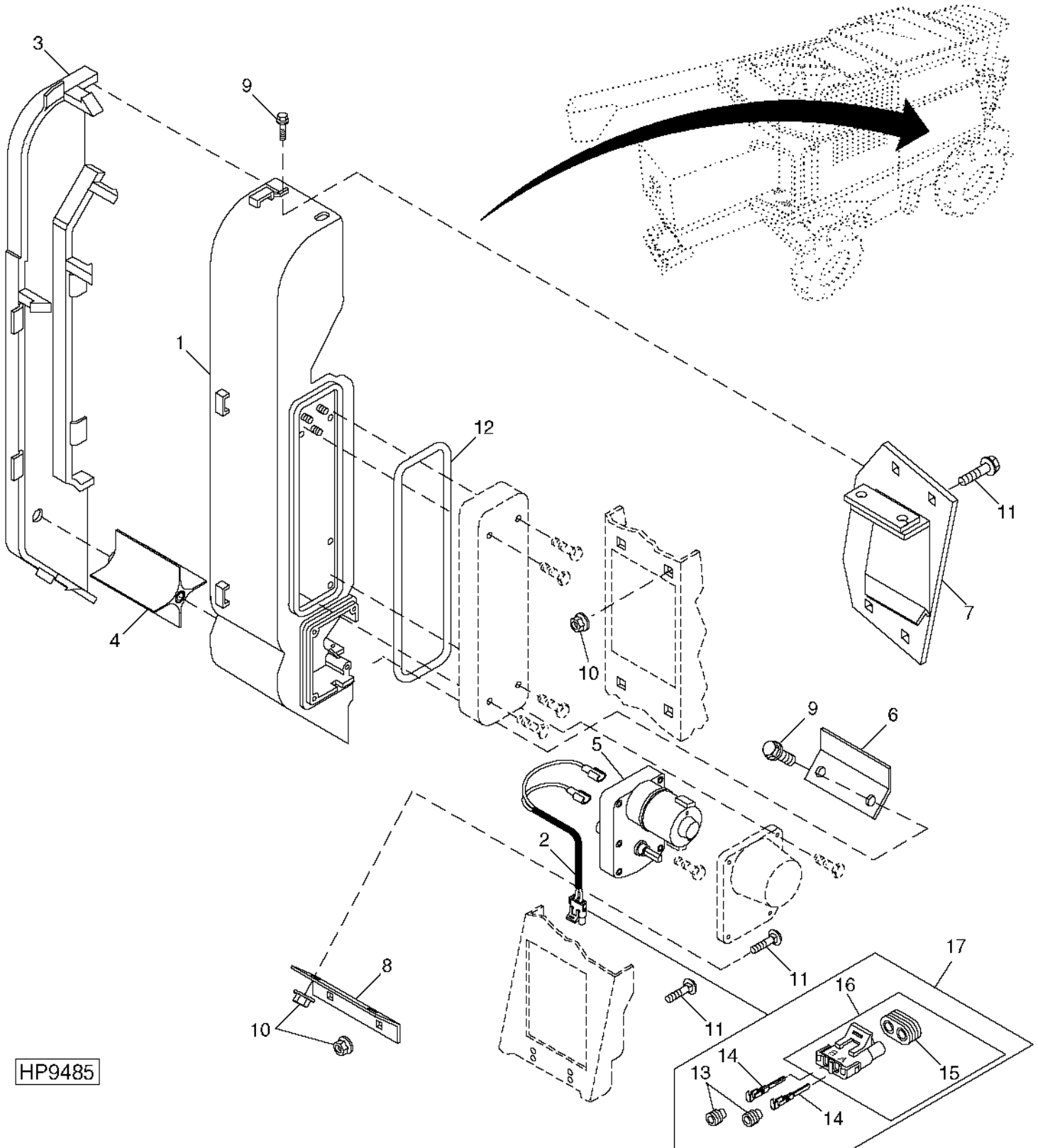
### MASS FLOW SENSOR - CONTINUED

KEY	PART NO.	PART NAME	QTY	SERIAL NO.	REMARKS
1	AH163359	SENSOR	1		(SUB FOR PF80000)
2	PF80032	BRACKET	1	-640000	9600
	AH165607	BRACKET	1	640001-	9600 AND 9610
	PF80033	BRACKET	1	-640000	9400, 9500, AND CTS
	AH166855	BRACKET	1	640001-	9400, 9500, CTS, 9410, 9510, AND CTSII
3	AH165608	BRACKET	1		(SUB FOR PF80024)
4	PF80107	DOOR	1	-640000	(SUB FOR PF80020) 9400, 9500, CTS
	PF80105	DEFLECTOR	1	640001-	(SUB FOR PF80021) 9400, 9500, CTS, 9410, 9510 AND CTS II
	PF80106	DOOR	1	-640000	(SUB FOR PF80019) 9600
	PF80104	DEFLECTOR	1	640001-	(SUB FOR PF80001) 9600 AND 9610 COMBINES
5	H172113	SPACER	2		
6	14M7396	LOCK NUT	2		(A) M8
7	14M7296	FLANGE NUT	4		(A) M10
8	03M7190	BOLT	4		(A) M10 X 20
9	21M1690	WING SCREW	2		(A) M6 X 16
10	PF10078	COVER	1		(A)
11	PF10355	PLUG	4		(A)
12	AH167654	WIRING HARNESS	1		
13	14M7303	FLANGE NUT	6		M6
..	PF80002	MASS FLOW SENSOR ATT. KIT	1		INCLUDES PARTS MARKED (A)

# A19

GREENSTAR™ COMBINE YIELD MAPPING AND MONITORING

MOISTURE SENSOR  
HP9485 -UN-03FEB00



HP9485



# A20

## GREENSTAR™ COMBINE YIELD MAPPING AND MONITORING

### MOISTURE SENSOR - CONTINUED

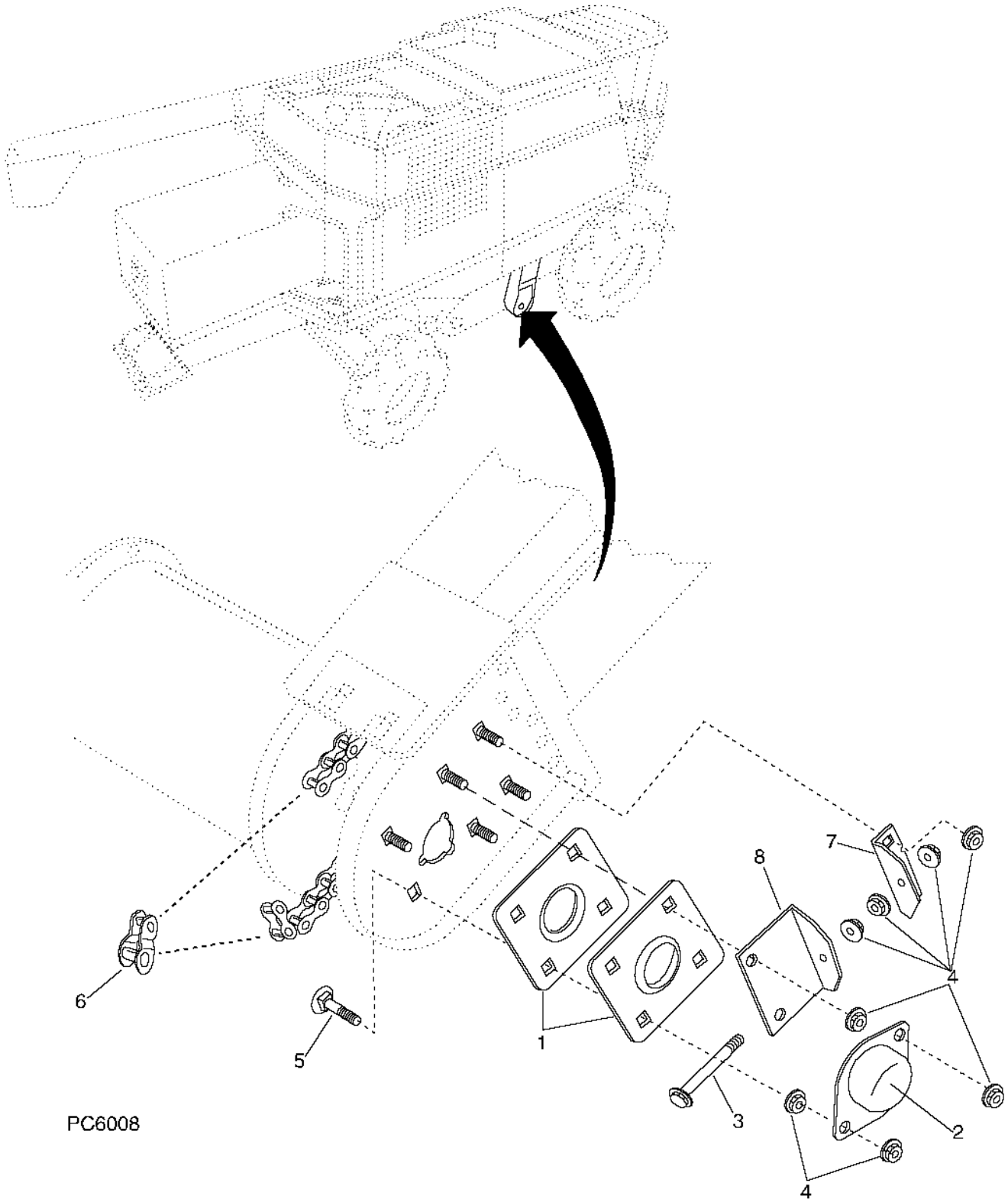
KEY	PART NO.	PART NAME	QTY	SERIAL NO.	REMARKS
1	PF80003	MOISTURE SENSOR MODULE	1		
2	PF80058	MOTOR WIRING HARNESS	1		
3	PF10034	COVER	1		
4	PF80045	PADDLE WHEEL ASSEMBLY	1		
5	AH128865	MOTOR	1		
6	.....	BRACKET	1		(A) MIDDLE
7	PF80110	BRACKET	1		(A) TOP
8	.....	BRACKET	1		(A) BOTTOM
9	19M7774	SCREW	4		(A) M6 X 12
10	14M7303	FLANGE NUT	8		(A) M6
11	03M7221	BOLT	8		(A) M6 X 16
12	PF10349	O-RING	1		
13	R78063	TERMINAL NIPPLE	1		(PKG. OF 40) (16 GA. WIRE) (GRAY)
14	R78060	SOCKET CONTACT	1		(PKG. OF 40) (14 OR 16 GA. WIRE) (NO. 15)
15	R78048	TERMINAL NIPPLE	1		(PKG. OF 5)
16	RE12363	CONNECTOR	1		(PKG. OF 3)
17	RE12331	CONNECTOR	1	-1996	(SUB RE12363, (2) R78060 AND (2) R78063)
..	PF80004	MOISTURE SENSOR ATTACH. KIT	1		INCLUDES PARTS MARKED (A)

# A21

GREENSTAR™ COMBINE YIELD MAPPING AND MONITORING

## CLEAN GRAIN ELEVATOR CHAIN ADJUSTING

PC6008 -UN-29JAN98



PC6008

# A22

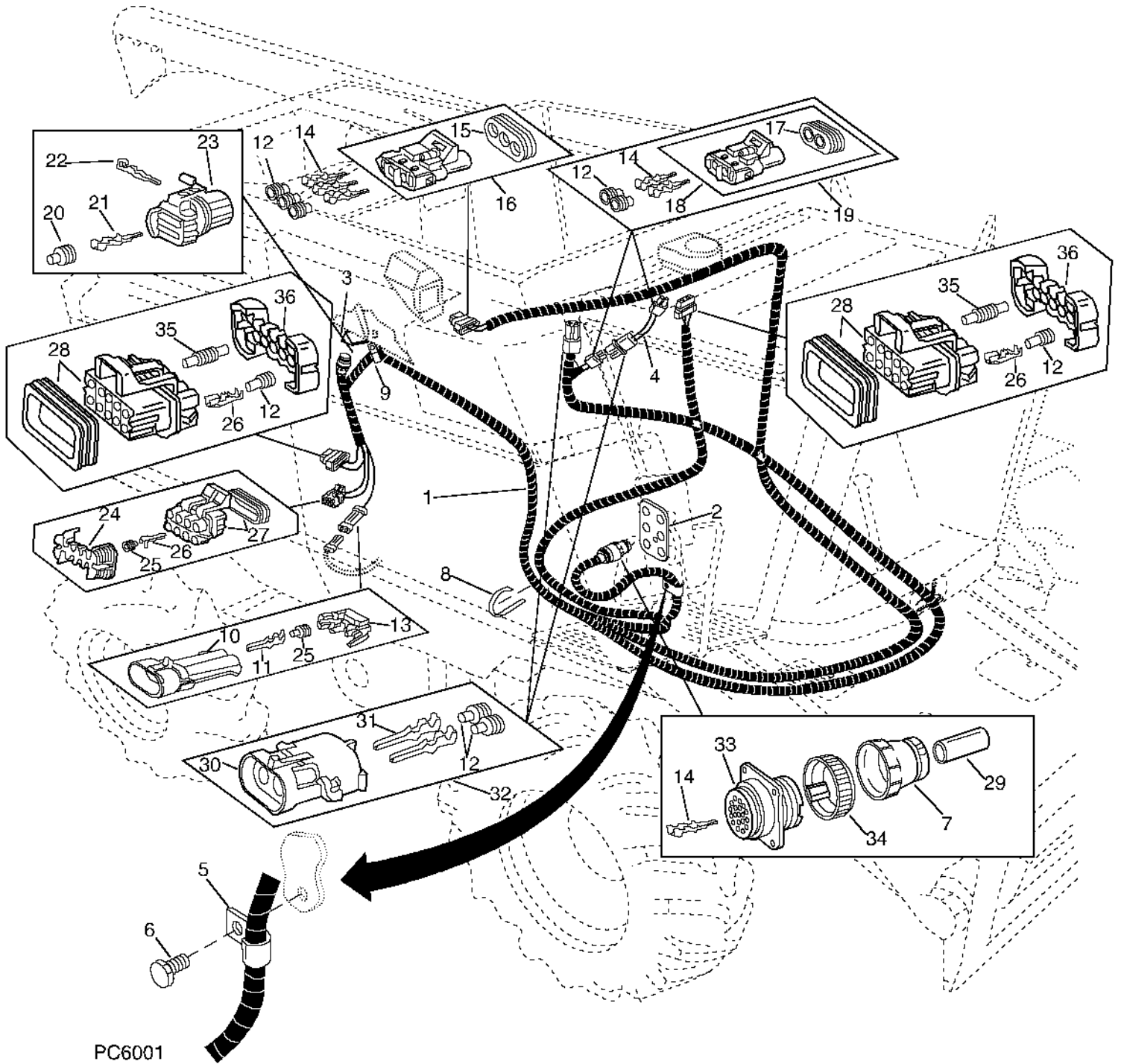
CLEAN GRAIN ELEVATOR CHAIN ADJUSTING - CONTINUED

KEY	PART NO.	PART NAME	QTY	SERIAL NO.	REMARKS
1	H152916	PRESSED FLANGED HOUSING	2	(A)	
2	H155968	COVER	1		
3	19M8241	CAP SCREW	1	(A) M10 X 100	
4	14M7296	FLANGE NUT	9	(A) M10	
5	03M7193	BOLT	6	(A) M10 X 35	
6	AH137631	CHAIN LINK	1	(A)	
	H84026	HOOK	2	(A) 'S' PIN FOR COUPLER LINK	
7	PF10108	BRACKET	1	(A) CHAIN ADJUSTMENT, UPPER	
8	H152914	BRACKET	1	(A) CHAIN ADJUSTMENT, LOWER	
..	PF80028	ELEVATOR ATTACHMENT KIT	1	INCLUDES PARTS MARKED (A)	

# A23

GREENSTAR™ COMBINE YIELD MAPPING AND MONITORING

CHASSIS WIRING HARNESS  
PC6001 -UN-17APR98



# A24

GREENSTAR™ COMBINE YIELD MAPPING AND MONITORING

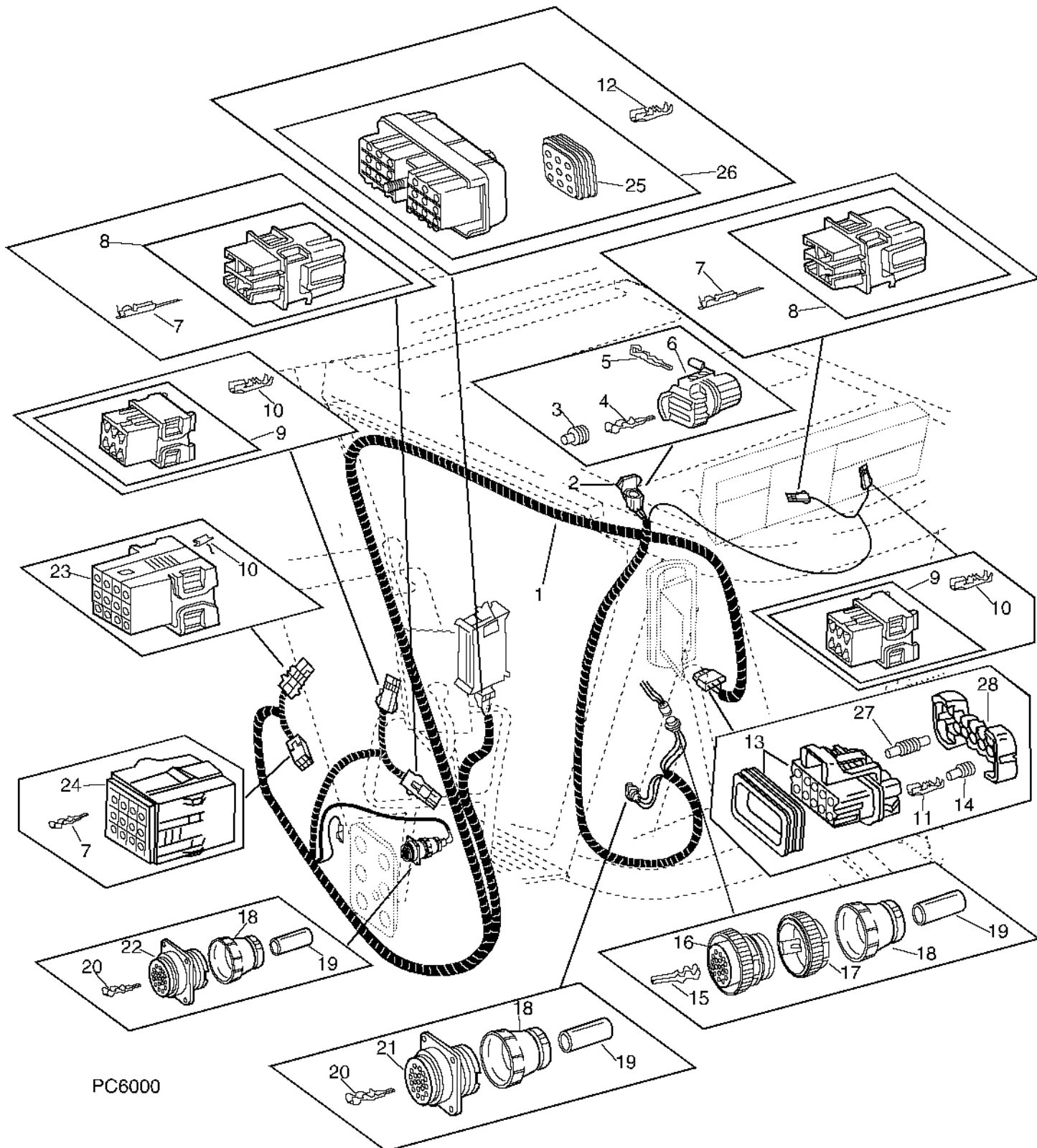
## CHASSIS WIRING HARNESS - CONTINUED

KEY	PART NO.	PART NAME	QTY	SERIAL NO.	REMARKS
1	PF80060	CHASSIS WIRING HARNESS	1		
2	PF10133	PLATE	1		
3	RE65347	RELAY MODULE	1		TERMINATOR
4	PF80057	ELEVATOR SPEED WRG HARNESS	1	-640000	
5	AH90990	CLIP	2		LARGE
6	19M7865	SCREW	2		M8 X 16
7	H140664	CONNECTOR	1		
8	H77698	TIE BAND	1		(PKG. OF 25)
9	AH96317	CLIP	5		MEDIUM
10	57M7256	PIN CONTACT CONNECTOR BODY	1		
11	R104919	PIN CONTACT	1		
12	R78063	TERMINAL NIPPLE	1		(PKG. OF 40) (16 GA. WIRE) (GRAY)
13	57M7289	CONNECTOR	1		
14	R78060	SOCKET CONTACT	1		(PKG. OF 40)
15	R78049	SEAL	1		(PKG. OF 5)
16	RE12364	SOCKET CONT.CONNECTOR BODY	1		(PKG. OF 3)
17	R78048	TERMINAL NIPPLE	1		(PKG. OF 5)
18	RE12363	CONNECTOR	1		(PKG. OF 3)
19	RE12331	CONNECTOR	1	-1996	(SUB RE12363, (2) R78060 AND (2) R78063)
20	57M7292	INSULATING CAPSULE	1		
21	57M7904	TERMINAL	1		
22	57M7540	INSULATING CAPSULE	1		
23	57M7538	RECEPTACLE CONNECTOR BODY	1		
24	57M7296	CONNECTOR	1		
25	57M7258	ELECTRICAL PLUG	1		
26	R104846	SOCKET CONTACT	1		
27	57M7261	RECEPTACLE CONNECTOR BODY	1		
28	57M7262	RECEPTACLE CONNECTOR BODY	1		(SUB FOR RE42195)
29	A49718	GUARD	1		
30	R78053	PIN CONTACT CONNECTOR BODY	1		
31	R78061	PIN CONTACT	1		
32	RE12330	CONNECTOR	1		(SUB R78053, (2) R78061 AND (2) R78063)
33	AH135787	ELECTRICAL PLUG	1		
34	H141325	CONNECTOR	1		
35	57M7259	ELECTRICAL PLUG	1		
36	57M7281	CONNECTOR	1		

# B1

## GREENSTAR™ COMBINE YIELD MAPPING AND MONITORING

**CAB WIRING HARNESS**  
**9400, 9500, 9600 AND CTS COMBINES**  
PC6000 -UN-17APR98



# B2

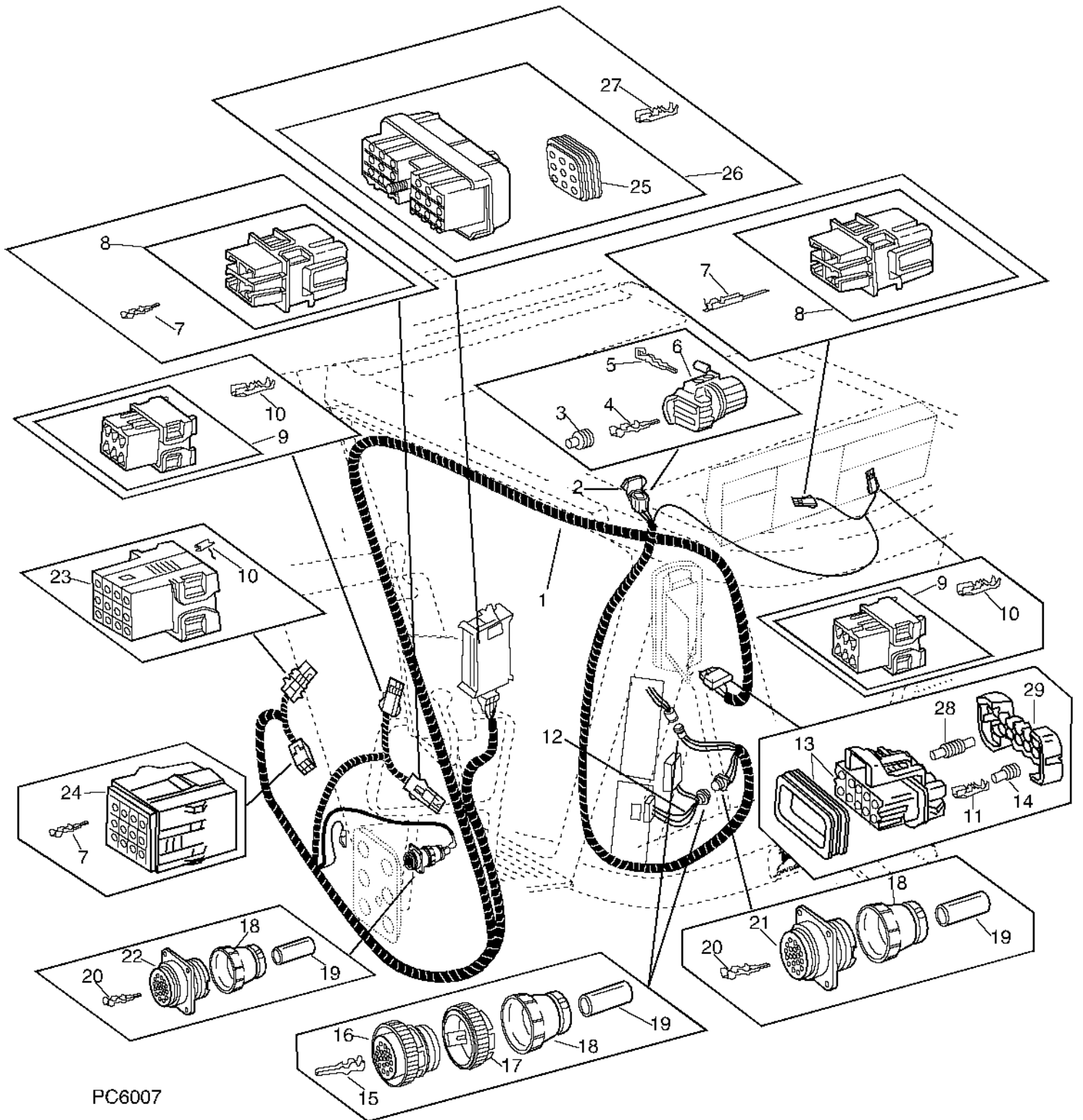
**CAB WIRING HARNESS - CONTINUED  
9400, 9500, 9600 AND CTS COMBINES**

KEY	PART NO.	PART NAME	QTY	SERIAL NO.	REMARKS
1	PF80071	CAB WIRING HARNESS	1		
2	RE65347	RELAY MODULE	1		TERMINATOR
3	57M7292	INSULATING CAPSULE	1		
4	57M7904	TERMINAL	1		
5	57M7540	INSULATING CAPSULE	1		
6	57M7538	RECEPTACLE CONNECTOR BODY	1		
7	R104923	TERMINAL	1		(PKG. OF 10) (14-16 GA. WIRE)
8	57M7820	RECEPTACLE	1		
9	AH116902	CONNECTOR	1		
10	R104921	TERMINAL	1		(PKG. OF 10) (14-16 GA. WIRE)
11	R104846	SOCKET CONTACT	1		(PKG. OF 10) (16 GA. WIRE)
12	R104701	TERMINAL	1		
13	57M7262	RECEPTACLE CONNECTOR BODY	1		(SUB FOR RE42195)
14	R78063	TERMINAL NIPPLE	1		(PKG. OF 40) (16 GA. WIRE) (GRAY)
15	R78060	SOCKET CONTACT	1		(PKG. OF 40) (14 OR 16 GA. WIRE) (NO. 15)
16	AH135787	ELECTRICAL PLUG	1		
17	H141325	CONNECTOR	1		
18	AA35687	CLAMP	1		
19	A49718	GUARD	1		
20	R78054	PIN CONTACT CONNECTOR BODY	1		(PKG. OF 3)
21	.....	CONNECTOR	1		(ORDER PF80071)
22	H140664	CONNECTOR	1		
23	.....	CONNECTOR	1		(ORDER PF80071)
24	.....	CONNECTOR	1		(ORDER PF80071)
25	.....	SEAL	1		(ORDER 57M7459)
26	57M7459	CONNECTOR	1		
27	57M7259	ELECTRICAL PLUG	1		
28	57M7281	CONNECTOR	1		

# B3

## GREENSTAR™ COMBINE YIELD MAPPING AND MONITORING

CAB WIRING HARNESS  
9410, 9510, 9610 AND CTS II COMBINES  
(-680000)  
PC6007 -UN-17APR98



PC6007



# B4

**CAB WIRING HARNESS - CONTINUED**  
**9410, 9510, 9610 AND CTS II COMBINES**  
**( -680000)**

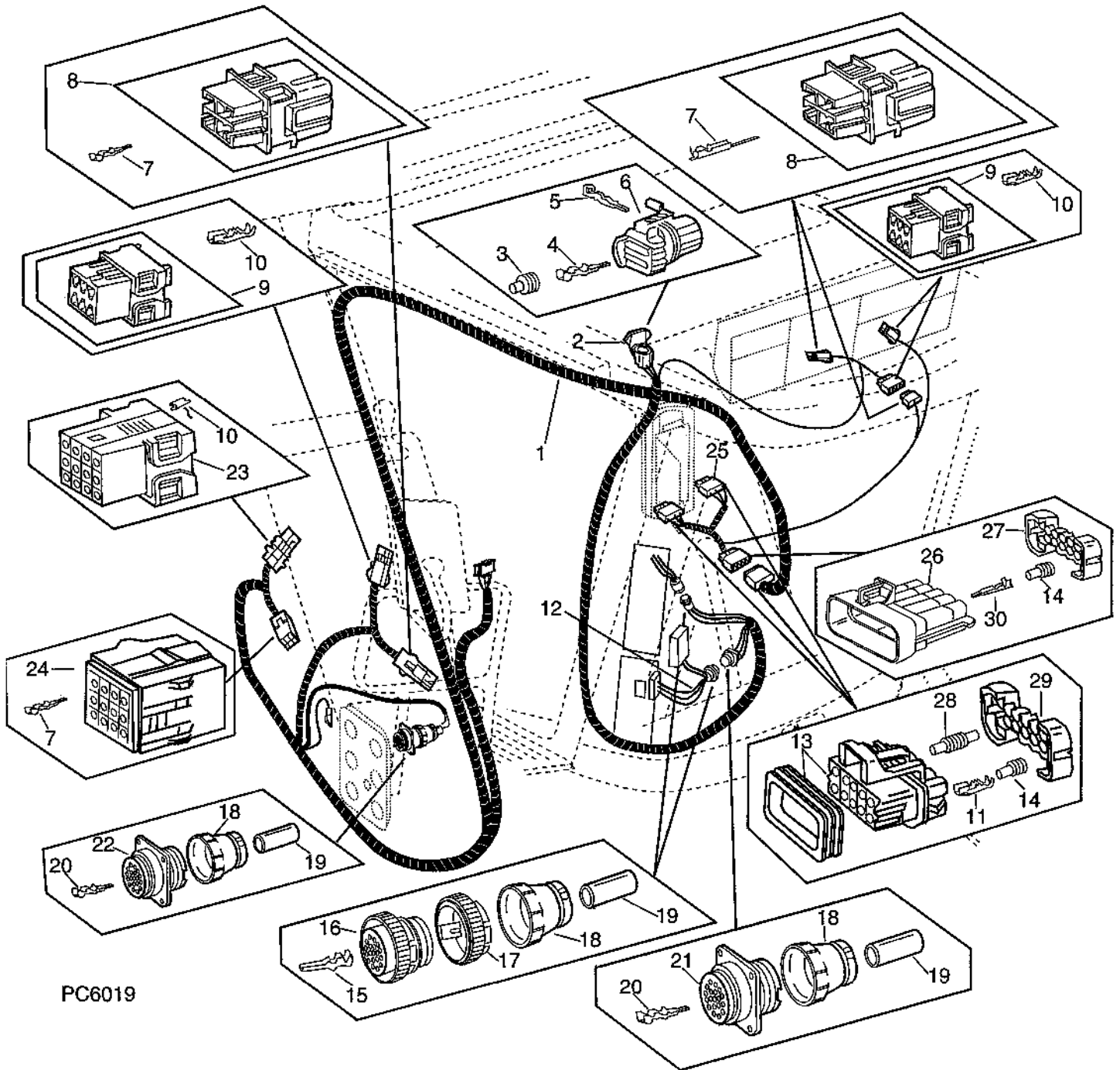
KEY	PART NO.	PART NAME	QTY	SERIAL NO.	REMARKS
1	PF80071	CAB WIRING HARNESS	1		
2	RE65347	RELAY MODULE	1		TERMINATOR
3	57M7292	INSULATING CAPSULE	1		
4	57M7904	TERMINAL	1		
5	57M7540	INSULATING CAPSULE	1		
6	57M7538	RECEPTACLE CONNECTOR BODY	1		
7	R104923	TERMINAL	1		(PKG. OF 10 (14-16 GA. WIRE))
8	57M7820	RECEPTACLE	1		
9	AH116902	CONNECTOR	1		
10	R104921	TERMINAL	1		(PKG. OF 10) (14-16 GA. WIRE)
11	R104846	SOCKET CONTACT	1		(PKG. OF 10) (16 GA. WIRE)
12	PF80119	TACHOMETER ADAPTER HARNESS	1		
13	57M7262	RECEPTACLE CONNECTOR BODY	1		(SUB FOR RE42195)
14	R78063	TERMINAL NIPPLE	1		(PKG. OF 40) (16 GA. WIRE) (GRAY)
15	R78060	SOCKET CONTACT	1		(PKG. OF 40) (14 OR 16 GA. WIRE) (NO. 15)
16	AH135787	ELECTRICAL PLUG	1		
17	H141325	CONNECTOR	1		
18	AA35687	CLAMP	1		
19	A49718	GUARD	1		
20	R78054	PIN CONTACT CONNECTOR BODY	1		(PKG. OF 3)
21	.....	CONNECTOR	1		(ORDER PF80071)
22	H140664	CONNECTOR	1		
23	.....	CONNECTOR	1		(ORDER PF80071)
24	.....	CONNECTOR	1		(ORDER PF80071)
25	.....	SEAL	1		(ORDER 57M7459)
26	57M7459	CONNECTOR	1		
27	R104701	TERMINAL	1		
28	57M7259	ELECTRICAL PLUG	1		
29	57M7281	CONNECTOR	1		

# B5

GREENSTAR™ COMBINE YIELD MAPPING AND MONITORING

CAB WIRING HARNESS W/ADAPTER FOR OLD CAB WIRING HARNESS AND MOBILE PROCESSOR/DISPLAY  
9410, 9510, 9610 AND CTS II

(680000- )  
PC6019 -UN-03JUN99



# B6

## GREENSTAR™ COMBINE YIELD MAPPING AND MONITORING

### CAB WIRING HARNESS W/ADAPTER FOR OLD CAB WIRING HARNESS AND MOBILE PROCESSOR/DISPLAY - CONTINUED 9410, 9510, 9610 AND CTS II (680000- )

KEY	PART NO.	PART NAME	QTY	SERIAL NO.	REMARKS
1	PF80071	CAB WIRING HARNESS	1		
2	RE65347	RELAY MODULE	1		TERMINATOR
3	57M7292	INSULATING CAPSULE	1		
4	57M7904	TERMINAL	1		
5	57M7540	INSULATING CAPSULE	1		
6	57M7538	RECEPTACLE CONNECTOR BODY	1		
7	R104923	TERMINAL	1		(PKG. OF 10 (14-16 GA. WIRE))
8	57M7820	RECEPTACLE	1		
9	AH116902	CONNECTOR	1		
10	R104921	TERMINAL	1		(PKG. OF 10) (14-16 GA. WIRE)
11	R104846	SOCKET CONTACT	1		(PKG. OF 10) (16 GA. WIRE)
12	PF80119	TACHOMETER ADAPTER HARNESS	1		
13	57M7262	RECEPTACLE CONNECTOR BODY	1		(SUB FOR RE42195)
14	R78063	TERMINAL NIPPLE	1		(PKG. OF 40) (16 GA. WIRE) (GRAY)
15	R78060	SOCKET CONTACT	1		(PKG. OF 40) (14 OR 16 GA. WIRE) (NO. 15)
16	AH135787	ELECTRICAL PLUG	1		
17	H141325	CONNECTOR	1		
18	AA35687	CLAMP	1		
19	A49718	GUARD	1		
20	R78054	PIN CONTACT CONNECTOR BODY	1		(PKG. OF 3)
21	.....	CONNECTOR	1		(ORDER PF80071)
22	H140664	CONNECTOR	1		
23	.....	CONNECTOR	1		(ORDER PF80071)
24	.....	CONNECTOR	1		(ORDER PF80071)
25	PF80299	CONNECTOR	1		
26	RE42196	CONNECTOR	1		
27	57M7281	CONNECTOR	1		
28	57M7259	ELECTRICAL PLUG	1		
29	57M7281	CONNECTOR	1		
30	R104919	PIN CONTACT	1		

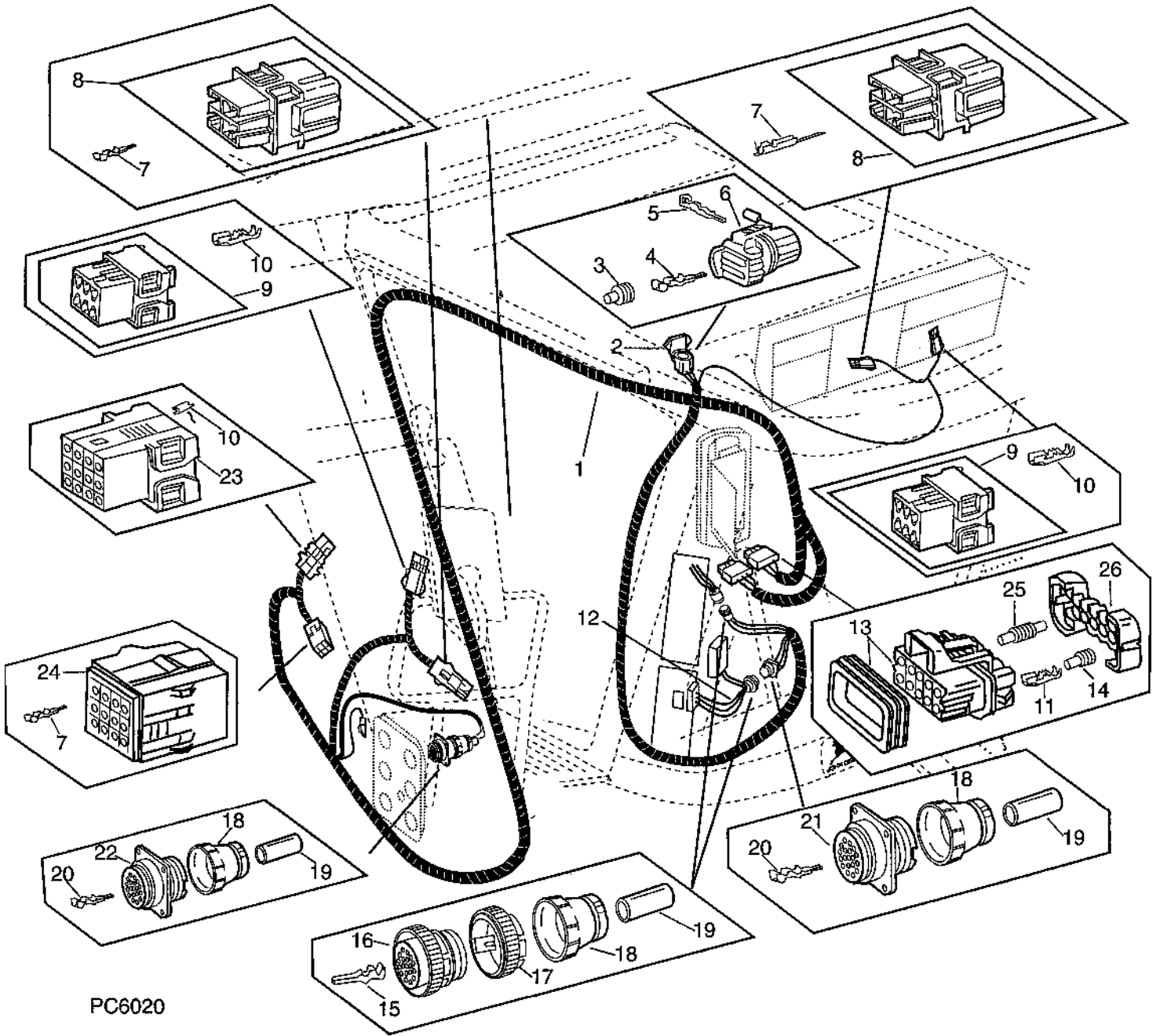
# B7

GREENSTAR™ COMBINE YIELD MAPPING AND MONITORING

FIELD INSTALLED CAB WIRING HARNESS WHEN USED WITH MOBILE PROCESSOR/DISPLAY

9410, 9510, 9610 AND CTS II

(680000- )  
PC6020 -UN-03JUN99



# B8

## GREENSTAR™ COMBINE YIELD MAPPING AND MONITORING

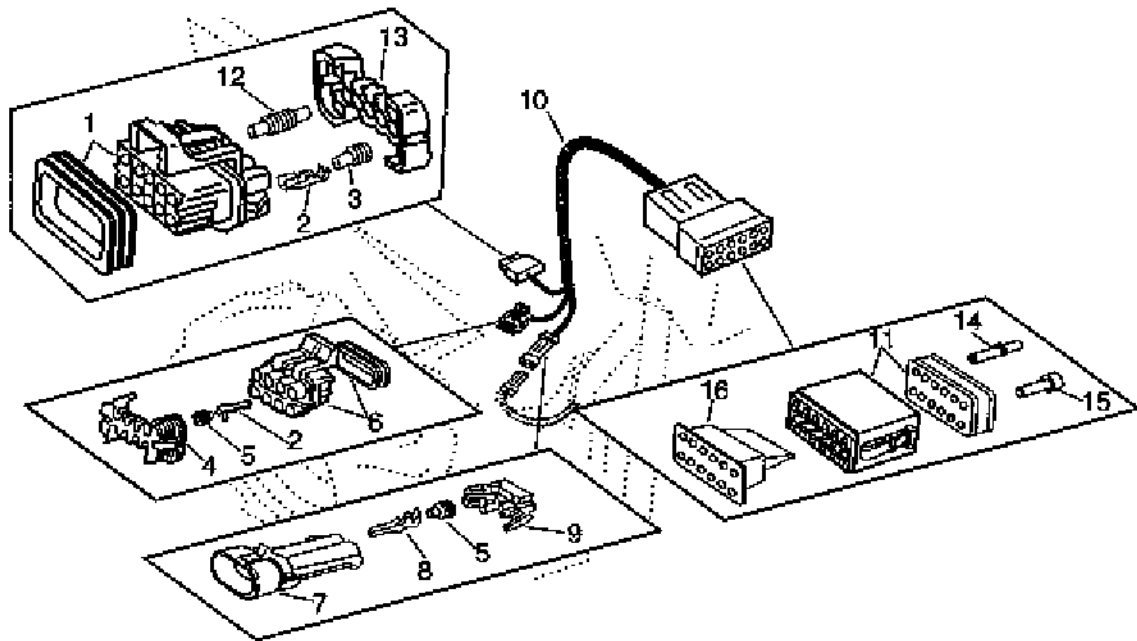
### FIELD INSTALLED CAB WIRING HARNESS WHEN USED WITH MOBILE PROCESSOR/DISPLAY

9410, 9510, 9610, CTS II  
(680000- )

KEY	PART NO.	PART NAME	QTY	SERIAL NO.	REMARKS
1	PF80298	CAB WIRING HARNESS	1		
2	RE65347	RELAY MODULE	1		TERMINATOR
3	57M7292	INSULATING CAPSULE	1		
4	57M7904	TERMINAL	1		
5	57M7540	INSULATING CAPSULE	1		
6	57M7538	RECEPTACLE CONNECTOR BODY	1		
7	R104923	TERMINAL	1		(PKG. OF 10 (14-16 GA. WIRE))
8	57M7820	RECEPTACLE	1		
9	AH116902	CONNECTOR	1		
10	R104921	TERMINAL	1		(PKG. OF 10) (14-16 GA. WIRE)
11	R104846	SOCKET CONTACT	1		(PKG. OF 10) (16 GA. WIRE)
12	PF80119	TACHOMETER ADAPTER HARNESS	1		
13	57M7262	RECEPTACLE CONNECTOR BODY	1		(SUB FOR RE42195)
14	R78063	TERMINAL NIPPLE	1		(PKG. OF 40) (16 GA. WIRE) (GRAY)
15	R78060	SOCKET CONTACT	1		(PKG. OF 40) (14 OR 16 GA. WIRE) (NO. 15)
16	AH135787	ELECTRICAL PLUG	1		
17	H141325	CONNECTOR	1		
18	AA35687	CLAMP	1		
19	A49718	GUARD	1		
20	R78054	PIN CONTACT CONNECTOR BODY	1		(PKG. OF 3)
21	.....	CONNECTOR	1		(ORDER PF80071)
22	H140664	CONNECTOR	1		
23	.....	CONNECTOR	1		(ORDER PF80071)
24	.....	CONNECTOR	1		(ORDER PF80071)
25	57M7259	ELECTRICAL PLUG	1		
26	57M7281	CONNECTOR	1		

# B9

MOISTURE SENSOR EXTENSION HARNESS  
FACTORY INSTALLED SYSTEM  
9410, 9510, 9610 AND CTS II COMBINES  
PC6004 -UN-21MAY99



PC6004

# B10

GREENSTAR™ COMBINE YIELD MAPPING AND MONITORING

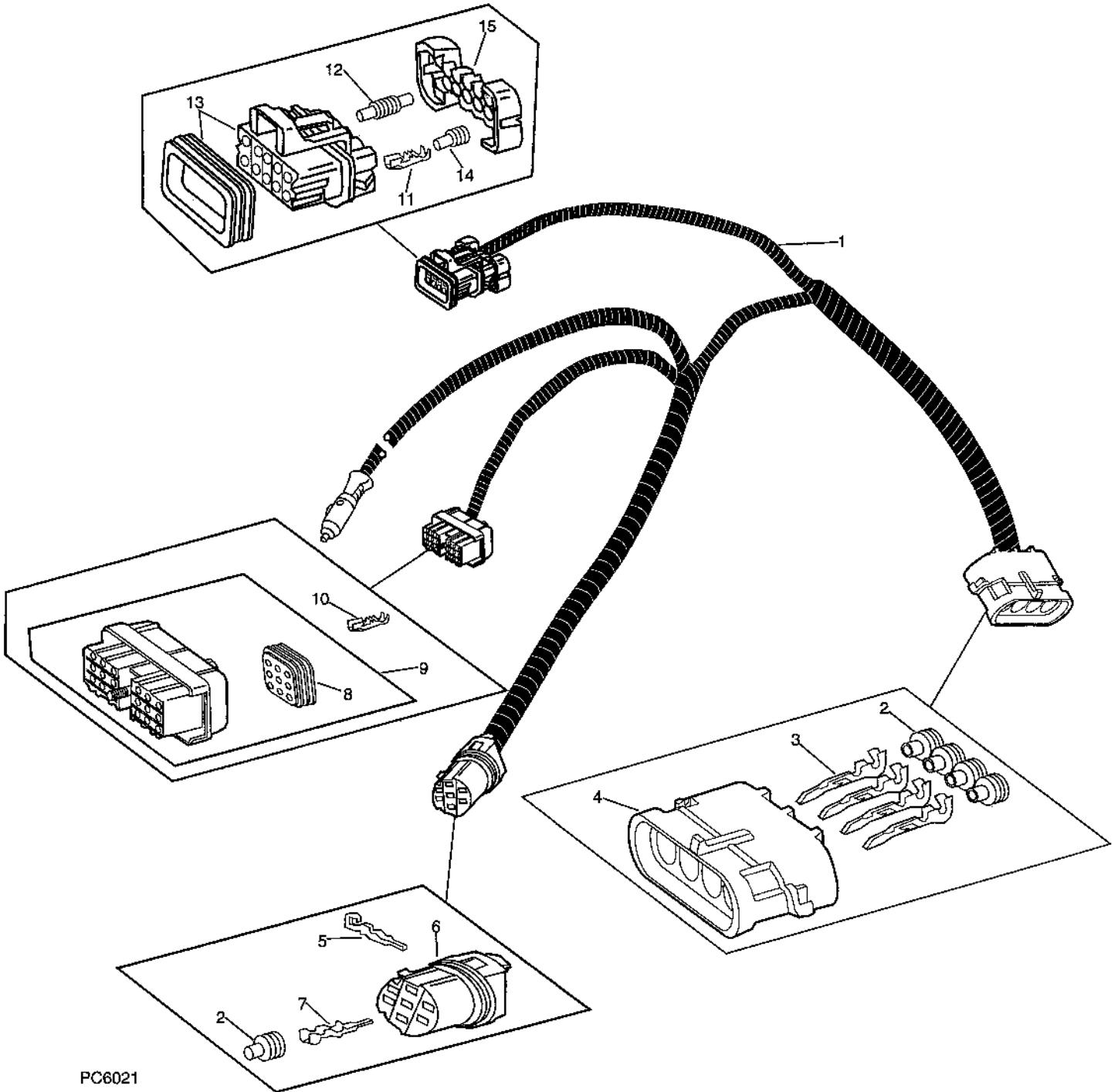
**MOISTURE SENSOR EXTENSION HARNESS - CONTINUED**  
**FACTORY INSTALLED SYSTEM**  
**9410, 9510, 9610 AND CTS II COMBINES**

KEY	PART NO.	PART NAME	QTY	SERIAL NO.	REMARKS
1	57M7262	RECEPTACLE CONNECTOR BODY	1		(SUB FOR RE42195)
2	R104846	SOCKET CONTACT	1		(PKG. OF 10) (16 GA WIRE)
3	R78063	TERMINAL NIPPLE	1		(PKG. OF 40) (16 GA WIRE) (GRAY)
4	57M7296	CONNECTOR	1		
5	57M7258	ELECTRICAL PLUG	1		
6	57M7261	RECEPTACLE CONNECTOR BODY	1		
7	57M7256	PIN CONTACT CONNECTOR BODY	1		
8	R104919	PIN CONTACT	1		
9	57M7316	CONNECTOR	1		
10	PF80134	WIRING HARNESS	1		
11	57M8039	ELECTRICAL PLUG	1		
12	57M7259	ELECTRICAL PLUG	1		
13	57M7281	CONNECTOR	1		
14	R78965	FITTING	1		
15	R78069	ELECTRICAL PLUG	1		
16	57M7681	INSULATING SLEEVE	1		

# B11

GREENSTAR™ COMBINE YIELD MAPPING AND MONITORING

TRAINING HARNESS  
PC6021 -UN-07JUL99





# B12

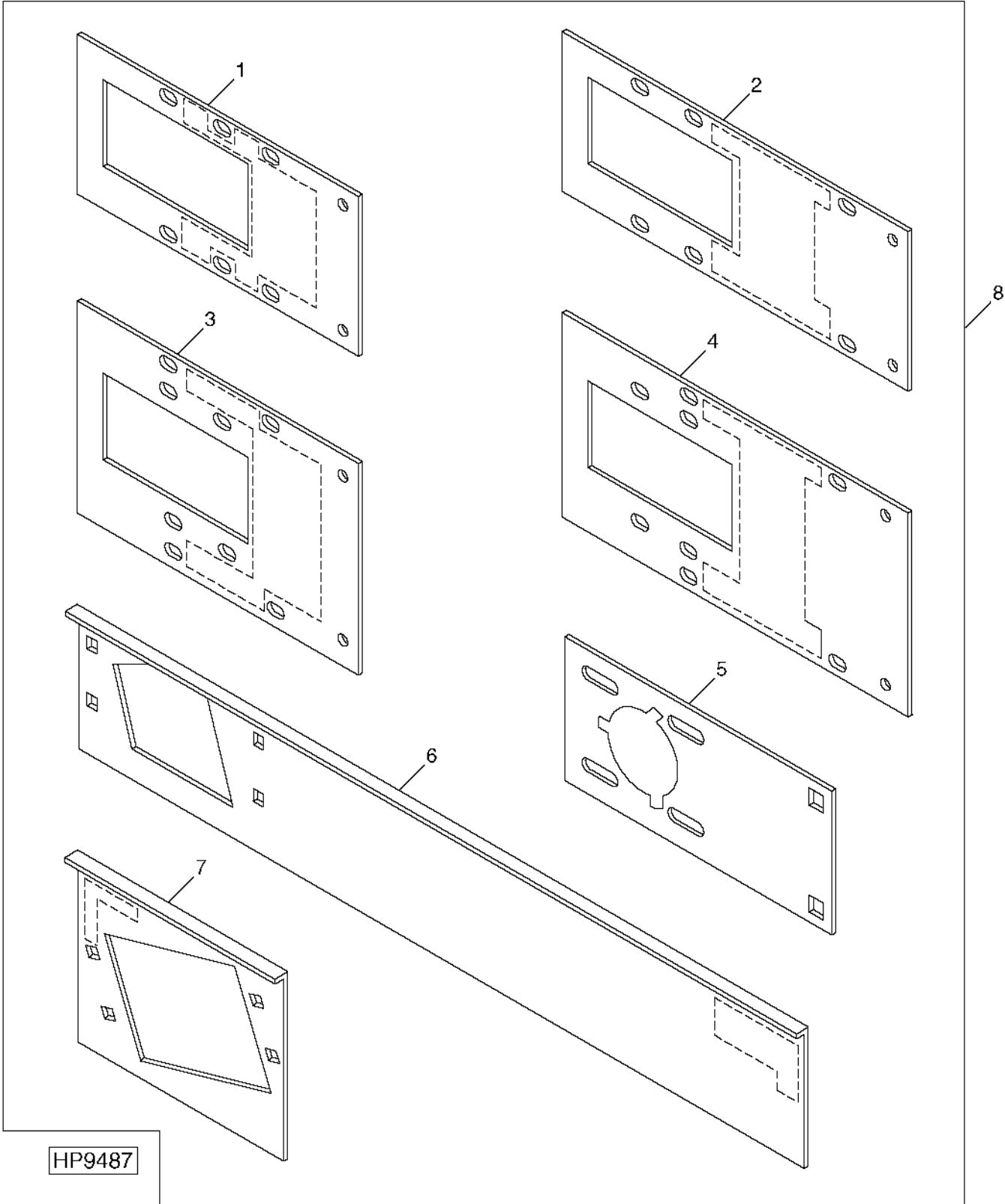
TRAINING HARNESS - CONTINUED

KEY	PART NO.	PART NAME	QTY	SERIAL NO.	REMARKS
1	PF80103	WIRING HARNESS	1		
2	57M7292	INSULATING CAPSULE	1		
3	R78058	PIN CONTACT	1		
4	R78055	PIN CONTACT CONNECTOR BODY	1		
5	57M7540	INSULATING CAPSULE	1		
6	57M7538	RECEPTACLE CONNECTOR BODY	1		
7	57M7904	TERMINAL	1		
8	.....	SEAL	1		(ORDER 57M7459)
9	57M7459	CONNECTOR	1		
10	R104701	TERMINAL	1		
11	R104846	SOCKET CONTACT	1		(PKG. OF 10) (16 GA. WIRE)
12	57M7259	ELECTRICAL PLUG	1		
13	57M7262	RECEPTACLE CONNECTOR BODY	1		
14	R78063	TERMINAL NIPPLE	1		(PKG. OF 40) (16 GA. WIRE) (GRAY)
15	57M7281	CONNECTOR	1		

# B13

TEMPLATES

HP9487 -UN-01MAY00



# B14

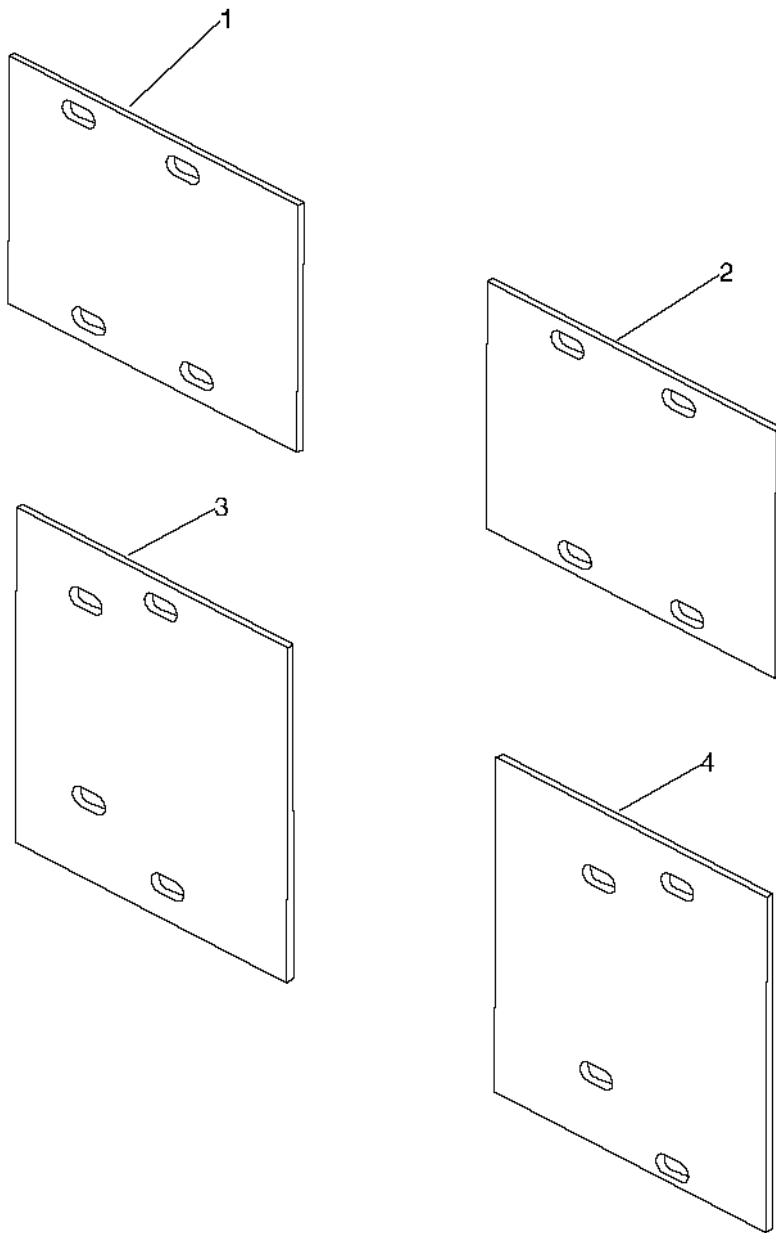
TEMPLATES - CONTINUED

KEY	PART NO.	PART NAME	QTY	SERIAL NO.	REMARKS
1	.....	TEMPLATE	1	-640000	MASS FLOW SENSOR 9400, 9500 COMBINES
2	.....	TEMPLATE	1	640001-	MASS FLOW SENSOR 9400, 9500 AND CTS COMBINES
3	.....	TEMPLATE	1	-640000	MASS FLOW SENSOR 9600 COMBINES
4	.....	TEMPLATE	1	640001-	MASS FLOW SENSOR 9600 COMBINES
5	.....	TEMPLATE	1		LOWER ELEVATOR ADJUSTMENT
6	PF10362	TEMPLATE	1		UPPER BRACKET, MOISTURE METER
7	PF10361	TEMPLATE	1		LOWER BRACKET, MOISTURE SENSOR
8	PF60052	FIELD INSTALL TEMPLATE KIT	1		(SUB FOR PF60050)

# B15

GREENSTAR™ COMBINE YIELD MAPPING AND MONITORING

**COVERS**  
**WHEN MASS-FLOW SENSOR IS NOT USED**  
PC6014 -UN-29JAN98



PC6014

# B16

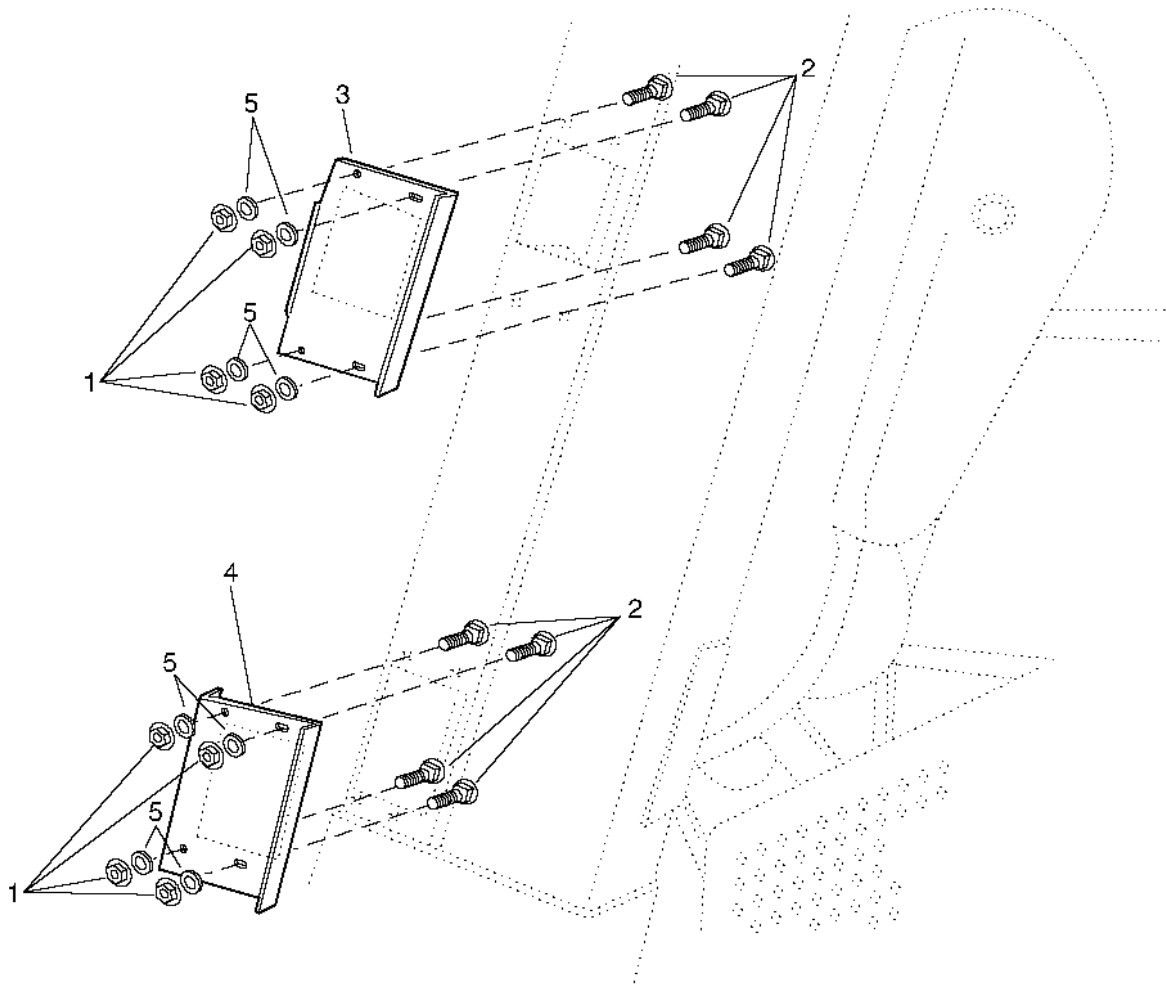
**COVERS - CONTINUED**  
**WHEN MASS-FLOW SENSOR IS NOT USED**

KEY	PART NO.	PART NAME	QTY	SERIAL NO.	REMARKS
1	PF10127	COVER	1	-640000	9400, 9500 AND CTS COMBINES
2	PF10026	PLATE	1	640001-	9400, 9500, CTS, 9410, 9510 AND CTS II COMBINES
3	PF10128	COVER	1	-640000	9600 COMBINES
4	PF10025	PLATE	1	640001-	9600 AND 9610 COMBINES

# B17

GREENSTAR™ COMBINE YIELD MAPPING AND MONITORING

MOISTURE SENSOR COVERS  
WHEN MOISTURE SENSOR IS NOT USED  
(-675000)  
PC6013 -UN-03FEB98



PC6013

# B18

**MOISTURE SENSOR COVERS**  
**WHEN MOISTURE SENSOR IS NOT USED**  
**( -675000)**

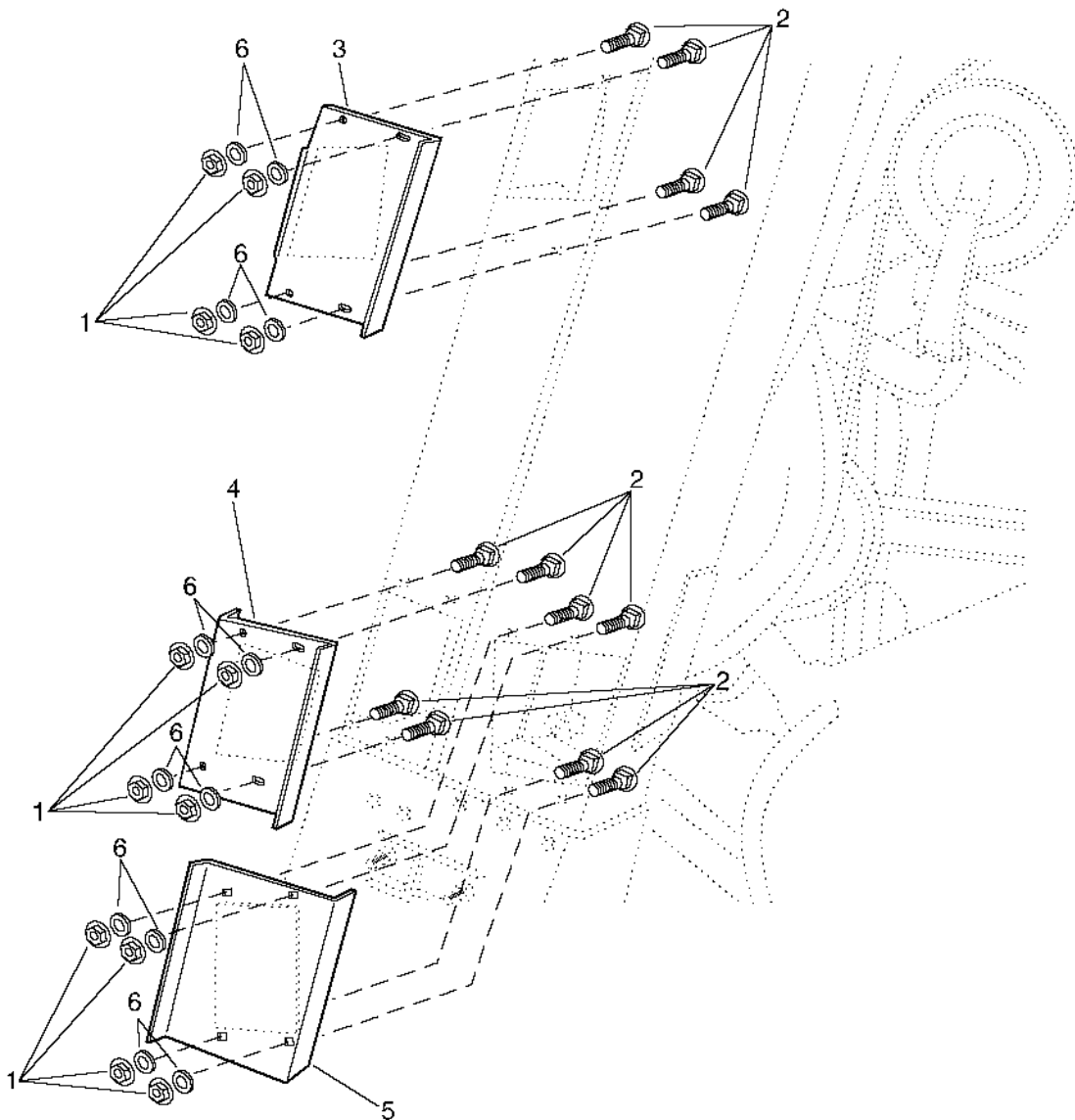
KEY	PART NO.	PART NAME	QTY	SERIAL NO. OR YEAR	REMARKS
1	14M7303	FLANGE NUT	8	M6	
2	03M7221	BOLT	8	M6 X 16	
3	PF80054	PLATE	1	UPPER	
4	PF80055	PLATE	1	LOWER	
5	M80082	NUT	8		

# B19

GREENSTAR™ COMBINE YIELD MAPPING AND MONITORING

## MOISTURE SENSOR COVERS WHEN MOISTURE SENSOR IS NOT USED

(675001- )  
PC6012 -UN-29JAN98



PC6012



# B20

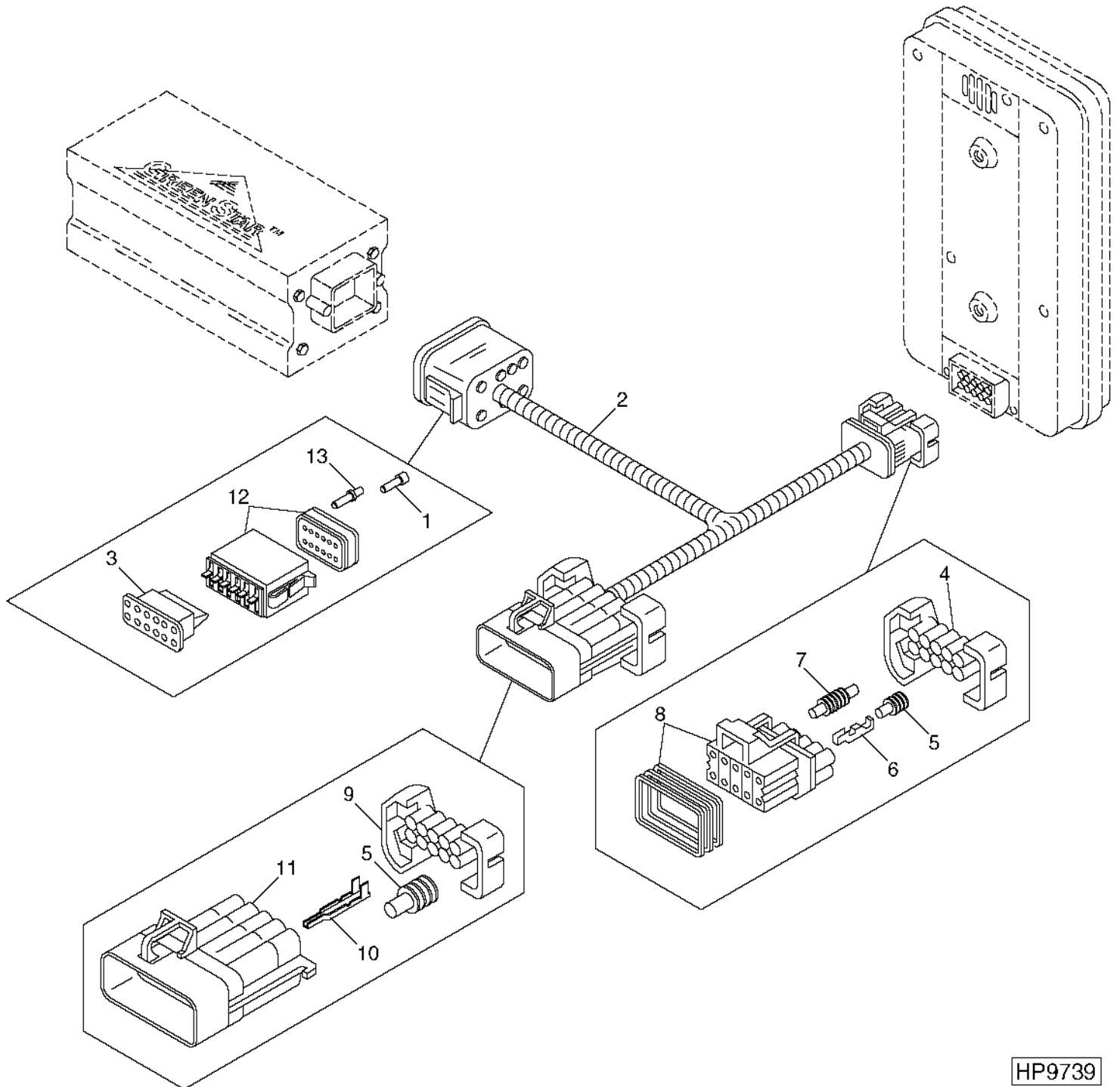
**MOISTURE SENSOR COVERS  
WHEN MOISTURE SENSOR IS NOT USED  
(675001- )**

KEY	PART NO.	PART NAME	QTY	SERIAL NO. OR YEAR	REMARKS
1	14M7303	FLANGE NUT	12	(A) M6	
2	03M7221	BOLT	12	(A) M6 X 16	
3	PF80112	PLATE	1	(A) UPPER	
4	PF80055	PLATE	1	LOWER	
5	PF80113	PLATE	1	(A) LOWER	
6	M80082	NUT	12	(A)	
..	PF60025	PLATE	1	INCLUDES PARTS MARKED (A)	

# B21

GREENSTAR™ COMBINE YIELD MAPPING AND MONITORING

**DATASTORE HARNESS**  
HP9739 -UN-28APR00



HP9739

# B22

**DATASTORE HARNESS - CONTINUED**

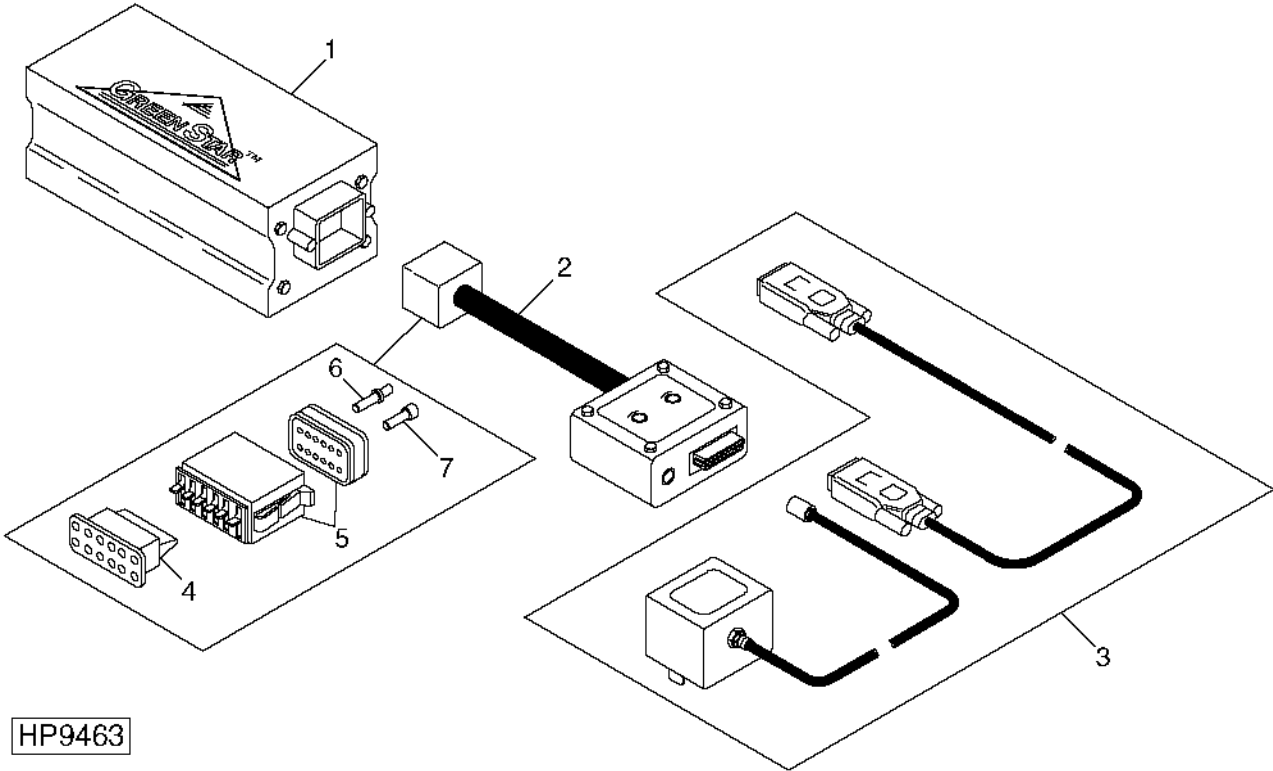
KEY	PART NO.	PART NAME	QTY	SERIAL NO.	REMARKS
1	R78069	ELECTRICAL PLUG	1		
2	PF80136	WIRING HARNESS	1		
3	57M7681	INSULATING SLEEVE	1		
4	57M7281	CONNECTOR	1		
5	R78063	TERMINAL NIPPLE	1		
6	R104846	SOCKET CONTACT	1		(PKG. OF 10) (16 GA. WIRE)
7	57M7259	ELECTRICAL PLUG	1		
8	RE42195	CONNECTOR	1		
9	57M7281	CONNECTOR	1		
10	R104919	PIN CONTACT	1		
11	RE42196	CONNECTOR	1		
12	57M8039	ELECTRICAL PLUG	1		
13	R78965	FITTING	1		

# B23

GREENSTAR™ COMBINE YIELD MAPPING AND MONITORING

## DATASTORE

HP9463 -UN-10JAN00



HP9463

KEY	PART NO.	PART NAME	QTY	SERIAL NO.	REMARKS
1	PF80139	MODULE	1		
2	PF80137	MODULE	1		
3	PF80338	POWER SUPPLY	1		
4	57M7681	INSULATING SLEEVE	1		
5	57M8039	ELECTRICAL PLUG	1		
6	R78965	FITTING	1		
7	R78069	ELECTRICAL PLUG	1		

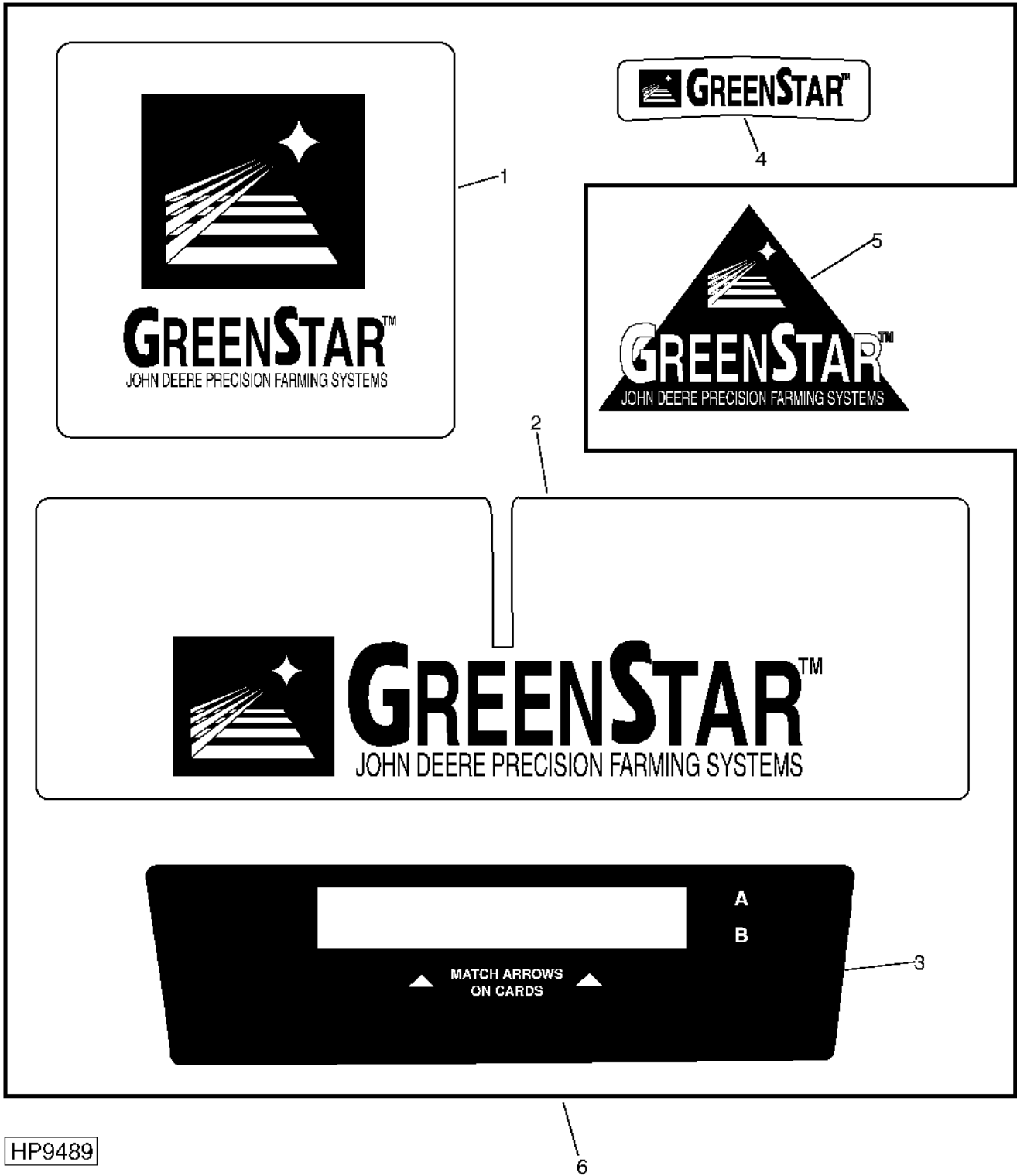
MEMORANDA

# B24

GREENSTAR™ COMBINE YIELD MAPPING AND MONITORING

DECALS  
HP9489

-UN-19JAN00



# B25

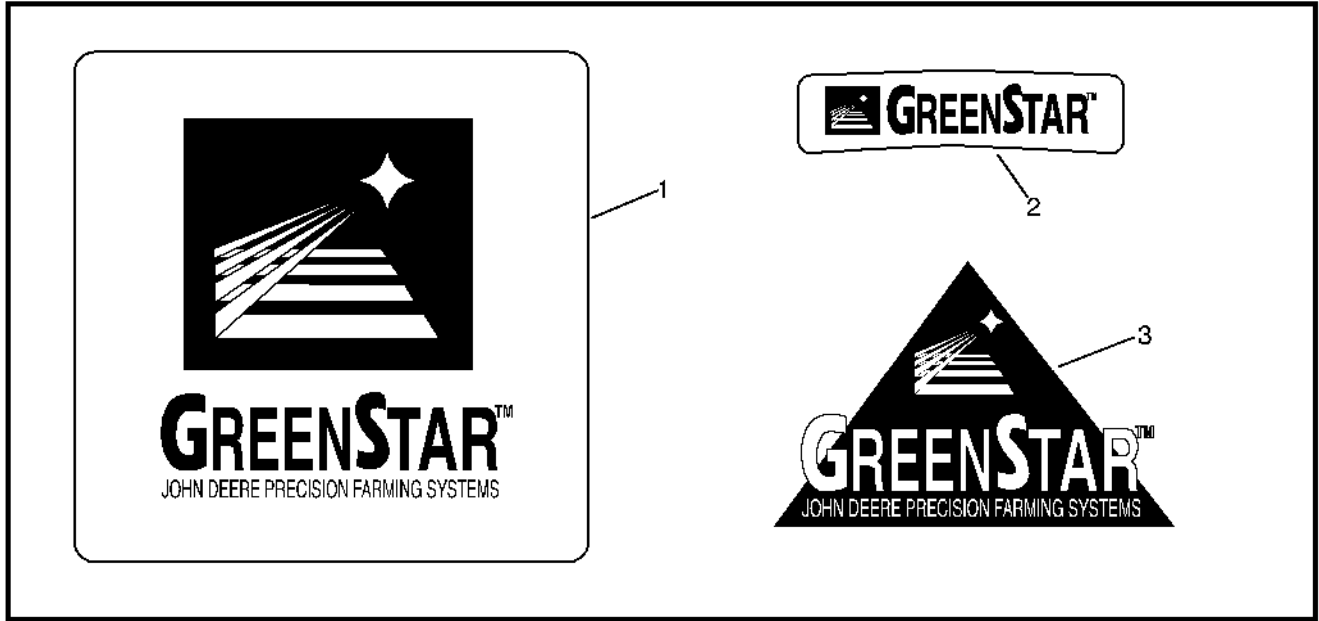
DECALS - CONTINUED

KEY	PART NO.	PART NAME	QTY	SERIAL NO.	REMARKS
1	.....	DECAL	1		MOISTURE SENSOR, COVER
2	.....	DECAL	1		MAPPING PROCESSOR, COVER
3	.....	DECAL	1		MAPPING PROCESSOR, PC CARD SLOT
4	.....	DECAL	1		GREENSTAR DISPLAY
5	H163216	LABEL	2		COMBINE GREENSTAR FACTORY
6	PF60001	DECAL	1		COMBINE YIELD MAPPING

# C1

**DECALS**  
HP9490

-UN-19JAN00



HP9490

KEY	PART NO.	PART NAME	QTY	SERIAL NO.	REMARKS
1	.....	DECAL	1		MOISTURE SENSOR
2	.....	DECAL	1		GREENSTAR DISPLAY
3	H163216	LABEL	2		COMBINE GREENSTAR FACTORY
4	PF60053	DECAL	1		YIELD MONITOR



## NUMERICAL INDEX

PART NO.	GRID	KEY	PAGE	PART NO.	GRID	KEY	PAGE	PART NO.	GRID	KEY	PAGE
AA35687	B2	18	20-17	PF60001	B25	6	20-41	PF80298	B8	1	20-23
AA35687	B4	18	20-19	PF60025	B20	..	20-35	PF80299	B6	25	20-21
AA35687	B6	18	20-21	PF60050	B14	8	20-29	PF80314	A12	1	20-3
AA35687	B8	18	20-23	PF60052	B14	8	20-29	PF80316	A14	7	20-5
AH116902	B2	9	20-17	PF60053	C1	4	20-42	PF80338	B23	3	20-38
AH116902	B4	9	20-19	PF80000	A18	1	20-9	PF80370	A14	8	20-5
AH116902	B6	9	20-21	PF80001	A18	4	20-9	RE12330	A24	32	20-15
AH116902	B8	9	20-23	PF80002	A18	..	20-9	RE12331	A20	17	20-11
AH128865	A20	5	20-11	PF80003	A20	1	20-11	RE12331	A24	19	20-15
AH135787	A24	33	20-15	PF80004	A20	..	20-11	RE12363	A20	16	20-11
AH135787	B2	16	20-17	PF80006	A16	..	20-7	RE12363	A20	17	20-11
AH135787	B4	16	20-19	PF80014	A14	..	20-5	RE12363	A24	18	20-15
AH135787	B6	16	20-21	PF80015	A12	1	20-3	RE12363	A24	19	20-15
AH135787	B8	16	20-23	PF80016	A12	..	20-3	RE12364	A24	16	20-15
AH137631	A22	6	20-13	PF80019	A18	4	20-9	RE42195	A24	28	20-15
AH163359	A18	1	20-9	PF80020	A18	4	20-9	RE42195	B2	13	20-17
AH165607	A18	2	20-9	PF80021	A18	4	20-9	RE42195	B4	13	20-19
AH165608	A18	3	20-9	PF80024	A18	3	20-9	RE42195	B6	13	20-21
AH166855	A18	2	20-9	PF80026	A16	4	20-7	RE42195	B8	13	20-23
AH167654	A18	12	20-9	PF80028	A22	..	20-13	RE42195	B10	1	20-25
AH90990	A24	5	20-15	PF80032	A18	2	20-9	RE42195	B22	8	20-37
AH96317	A24	9	20-15	PF80033	A18	2	20-9	RE42196	B6	26	20-21
A49718	A24	29	20-15	PF80045	A20	4	20-11	RE42196	B22	11	20-37
A49718	B2	19	20-17	PF80054	B18	3	20-33	RE65347	A24	3	20-15
A49718	B4	19	20-19	PF80055	B18	4	20-33	RE65347	B2	2	20-17
A49718	B6	19	20-21	PF80055	B20	4	20-35	RE65347	B4	2	20-19
A49718	B8	19	20-23	PF80057	A24	4	20-15	RE65347	B6	2	20-21
H140664	A24	7	20-15	PF80058	A20	2	20-11	RE65347	B8	2	20-23
H140664	B2	22	20-17	PF80060	A24	1	20-15	R104701	B2	12	20-17
H140664	B4	22	20-19	PF80071	B2	1	20-17	R104701	B4	27	20-19
H140664	B6	22	20-21	PF80071	B2	21	20-17	R104701	B12	10	20-27
H140664	B8	22	20-23	PF80071	B2	23	20-17	R104846	A24	26	20-15
H141325	A24	34	20-15	PF80071	B2	24	20-17	R104846	B2	11	20-17
H141325	B2	17	20-17	PF80071	B4	1	20-19	R104846	B4	11	20-19
H141325	B4	17	20-19	PF80071	B4	21	20-19	R104846	B6	11	20-21
H141325	B6	17	20-21	PF80071	B4	23	20-19	R104846	B8	11	20-23
H141325	B8	17	20-23	PF80071	B4	24	20-19	R104846	B10	2	20-25
H152914	A22	8	20-13	PF80071	B6	1	20-21	R104846	B12	11	20-27
H152916	A22	1	20-13	PF80071	B6	21	20-21	R104846	B22	6	20-37
H155968	A22	2	20-13	PF80071	B6	23	20-21	R104919	A24	11	20-15
H163216	B25	5	20-41	PF80071	B6	24	20-21	R104919	B6	30	20-21
H163216	C1	3	20-42	PF80071	B8	21	20-23	R104919	B10	8	20-25
H168424	A14	1	20-5	PF80071	B8	23	20-23	R104919	B22	10	20-37
H172113	A18	5	20-9	PF80071	B8	24	20-23	R104921	B2	10	20-17
H77698	A24	8	20-15	PF80077	A16	1	20-7	R104921	B4	10	20-19
H84026	A22	6	20-13	PF80078	A16	3	20-7	R104921	B6	10	20-21
M80082	B18	5	20-33	PF80079	A14	8	20-5	R104921	B8	10	20-23
M80082	B20	6	20-35	PF80088	A16	2	20-7	R104923	B2	7	20-17
PF10025	B16	4	20-31	PF80103	B12	1	20-27	R104923	B4	7	20-19
PF10026	B16	2	20-31	PF80104	A18	4	20-9	R104923	B6	7	20-21
PF10034	A20	3	20-11	PF80105	A18	4	20-9	R104923	B8	7	20-23
PF10078	A18	10	20-9	PF80106	A18	4	20-9	R78048	A20	15	20-11
PF10108	A22	7	20-13	PF80107	A18	4	20-9	R78048	A24	17	20-15
PF10123	A12	8	20-3	PF80110	A20	7	20-11	R78049	A24	15	20-15
PF10127	B16	1	20-31	PF80112	B20	3	20-35	R78053	A24	30	20-15
PF10128	B16	3	20-31	PF80113	B20	5	20-35	R78053	A24	32	20-15
PF10133	A24	2	20-15	PF80117	A14	8	20-5	R78054	B2	20	20-17
PF10134	A12	2	20-3	PF80119	B4	12	20-19	R78054	B4	20	20-19
PF10135	A12	3	20-3	PF80119	B6	12	20-21	R78054	B6	20	20-21
PF10138	A16	7	20-7	PF80119	B8	12	20-23	R78054	B8	20	20-23
PF10140	A16	8	20-7	PF80134	B10	10	20-25	R78055	B12	4	20-27
PF10240	A12	5	20-3	PF80136	B22	2	20-37	R78058	B12	3	20-27
PF10349	A20	12	20-11	PF80137	B23	2	20-38	R78060	A20	14	20-11
PF10355	A18	11	20-9	PF80139	B23	1	20-38	R78060	A20	17	20-11
PF10361	B14	7	20-29	PF80150	A14	8	20-5	R78060	A24	14	20-15
PF10362	B14	6	20-29	PF80156	A14	7	20-5	R78060	A24	19	20-15
PF10607	A14	3	20-5	PF80162	A14	8	20-5	R78060	B2	15	20-17

**NUMERICAL INDEX - CONTINUED**

<i>PART NO.</i>	<i>GRID</i>	<i>KEY</i>	<i>PAGE</i>	<i>PART NO.</i>	<i>GRID</i>	<i>KEY</i>	<i>PAGE</i>	<i>PART NO.</i>	<i>GRID</i>	<i>KEY</i>	<i>PAGE</i>
R78060	B4	15	20-19								
R78060	B6	15	20-21								
R78060	B8	15	20-23								
R78061	A24	31	20-15								
R78061	A24	32	20-15								
R78063	A20	13	20-11								
R78063	A20	17	20-11								
R78063	A24	12	20-15								
R78063	A24	19	20-15								
R78063	A24	32	20-15								
R78063	B2	14	20-17								
R78063	B4	14	20-19								
R78063	B6	14	20-21								
R78063	B8	14	20-23								
R78063	B10	3	20-25								
R78063	B12	14	20-27								
R78063	B22	5	20-37								
R78069	B10	15	20-25								
R78069	B22	1	20-37								
R78069	B23	7	20-38								
R78965	B10	14	20-25								
R78965	B22	13	20-37								
R78965	B23	6	20-38								